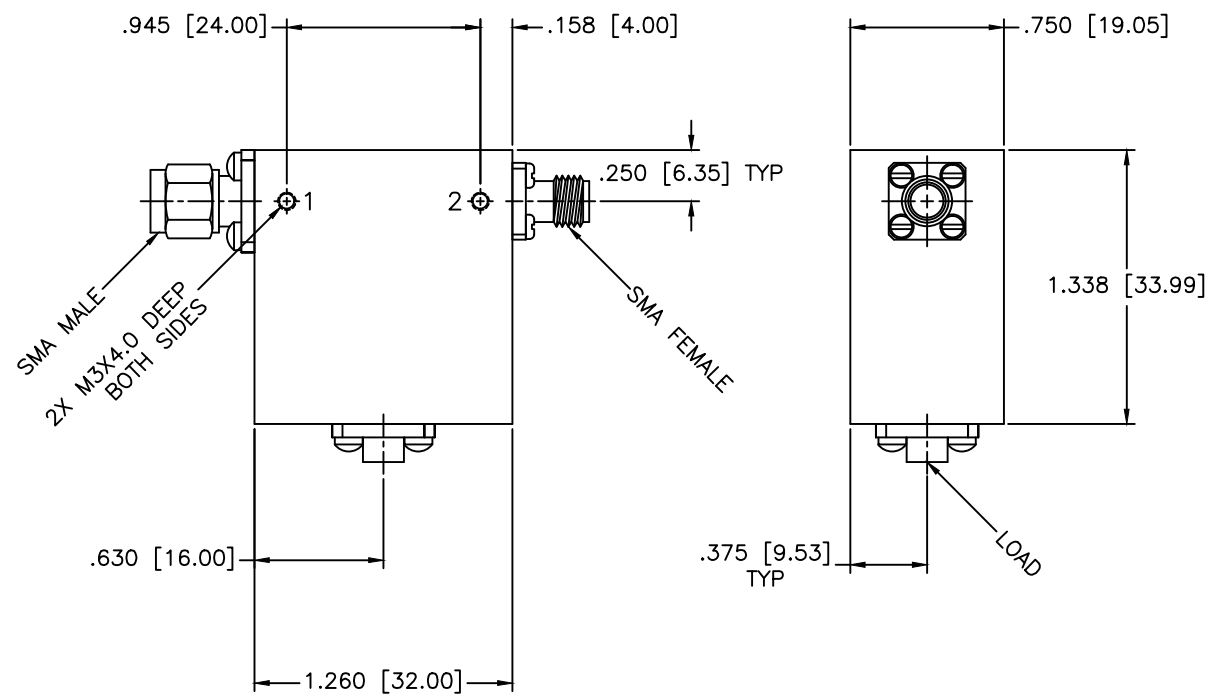


REVISIONS				
ZONE	REV	DESCRIPTION	Date	APPROVED



SPECIFICATIONS

- Frequency Range: 3.2–6.5 GHz
- Isolation: 17dB Min.
- Insertion loss: 0.50dB Max.
- VSWR: 1.35:1 Max.
- Power Avg: 25 Watts
- Power Peak: 250 Watts
- Operating Temperature: -30°C to +70°C

MATERIAL:		MCLI MICROWAVE COMMUNICATIONS LABORATORIES INC. 7255 30TH AVE. N. SAINT PETERSBURG, FL 33710 TEL: (727) 344-6254 FAX: (727) 381-6116 http://www.MCLI.COM	SCALE:	N/A
			SHEET:	N/A
UNLESS OTHERWISE SPECIFIED: TOLERANCES IN (INCHES) OR [mm] (MILLIMETERS) FRACTIONS: ± 1/64 DECIMALS: ±.01 ±.005 ANGLE: ±1/2°		DRAWING TITLE: COAXIAL ISOLATOR		
DRAWN: Paiboon Luekhamhan		PART NO.: IS-17/SMI		
DATE: 04-06-2011		CAGE CODE: 0D2L5		
APPROVED: T. Nguyen		DATE: 04-06-2011		
THIRD ANGLE PROJECTION		SIZE: N/A	REV: N/A	DWG NO.: 85595
		DO NOT SCALE THE DRAWING		