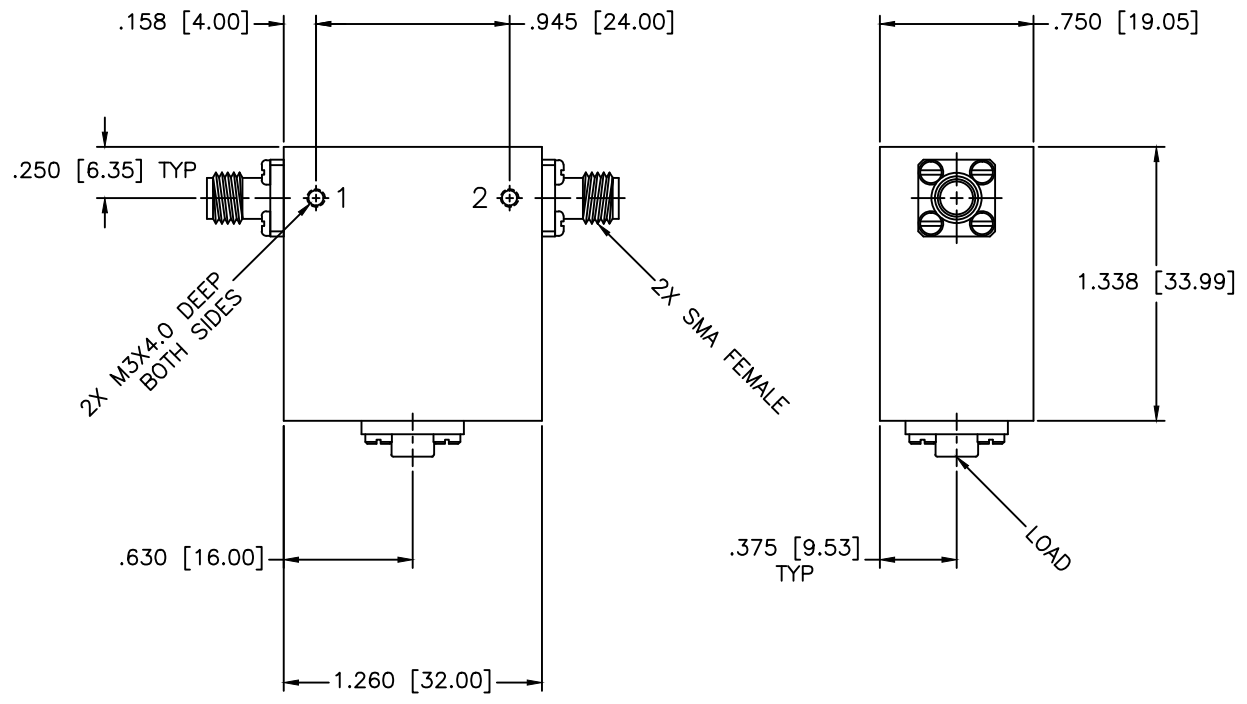


REVISIONS				
ZONE	REV	DESCRIPTION	Date	APPROVED



**SPECIFICATIONS**

Frequency Range: 3.2–6.5 GHz  
 Isolation: 17dB Min.  
 Insertion loss: 0.5dB Max.  
 VSWR: 1.35:1 Max.  
 Power Avg, Peak: 25W, 250W  
 Operating Temperature: -30°C to +70°C

MATERIAL:		<b>MCLI</b> MICROWAVE COMMUNICATIONS LABORATORIES INC. 7255 30TH AVE. N. SAINT PETERSBURG, FL 33710 TEL: (727) 344-6254 FAX: (727) 381-6116 <a href="http://WWW.MCLI.COM">http://WWW.MCLI.COM</a>	SCALE:	N/A
			SHEET:	N/A
UNLESS OTHERWISE SPECIFIED: TOLERANCES IN (INCHES) OR [mm] (MILLIMETERS) FRACTIONS: ± 1/64 DECIMALS: ±.01 ±.005 ANGLE: ±1/2°		DRAWING TITLE: <b>COAXIAL ISOLATOR</b>		
DRAWN: Pai boon Luekhamhan		PART NO. <b>IS-17</b>		
DATE: 03-06-2002		CAGE CODE: OD2L5		
APPROVED: T. Nguyen		DATE: 03-06-2002		
PROPRIETARY NOTICE: THE INFORMATION IN THIS DRAWING IS PROPRIETARY AND SHALL NOT BE USED OR DISCLOSED WITHOUT WRITTEN PERMISSION FROM MICROWAVE COMMUNICATIONS LABORATORIES INC. (MCLI)		SIZE:	N/A	REV:
THIRD ANGLE PROJECTION		DO NOT SCALE THE DRAWING	REV:	N/A
		DWG NO. <b>82095</b>		