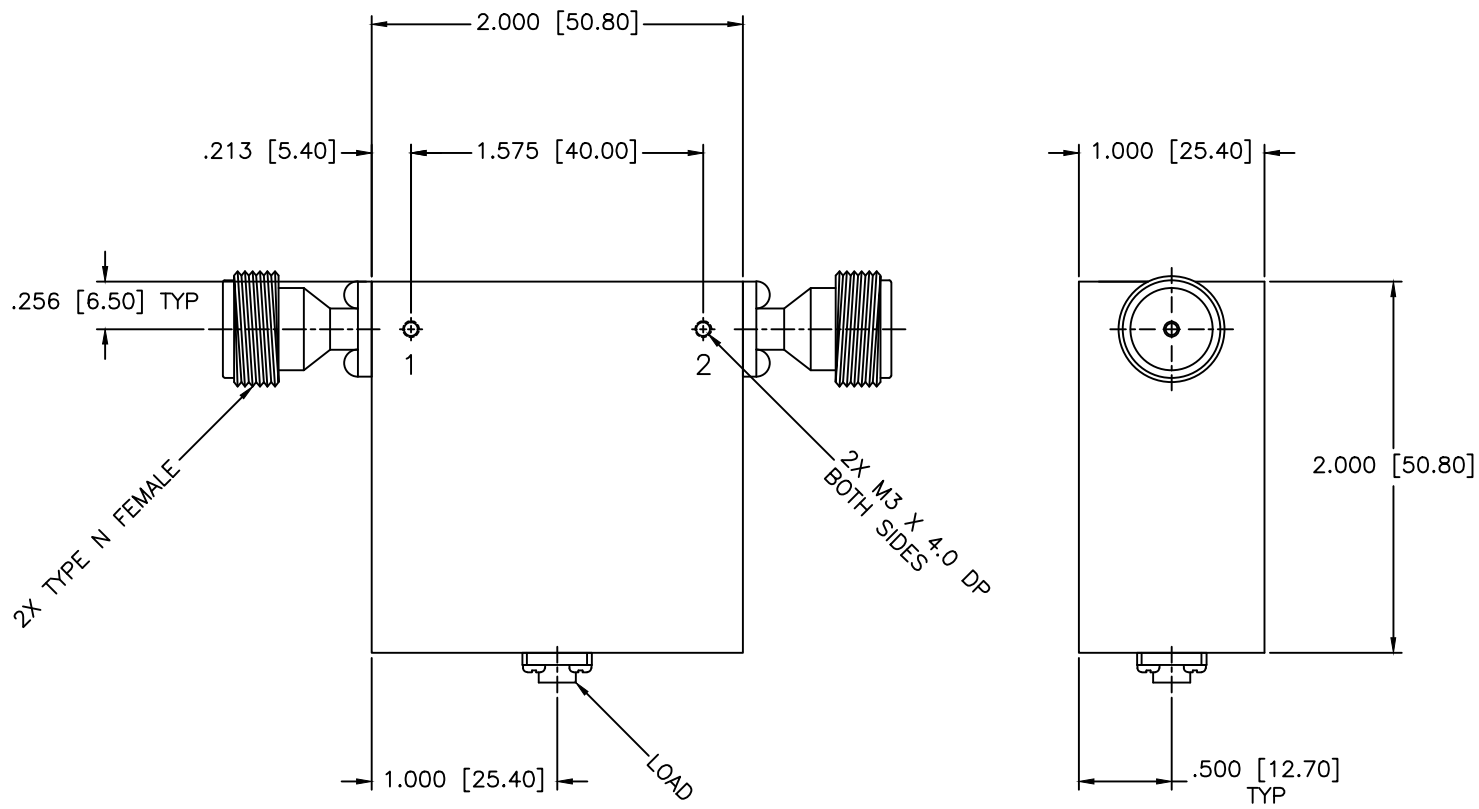




REVISIONS				
ZONE	REV	DESCRIPTION	Date	APPROVED



SPECIFICATIONS AT +25°C
 Frequency Range: 800–960 MHz
 Isolation: 30dB Min.
 Insertion loss: 0.40dB Max.
 VSWR: 1.15:1 Max.

MATERIAL:			MICROWAVE COMMUNICATIONS LABORATORIES INC. 7255 30TH AVE. N. SAINT PETERSBURG, FL 33710 TEL: (727) 344-6254 FAX: (727) 381-6116 http://www.MCLI.COM		SCALE: N/A
UNLESS OTHERWISE SPECIFIED: TOLERANCES IN (INCHES) OR [mm] (MILLIMETERS) FRACTIONS: ± 1/64 DECIMALS: ±.01 ±.005 ANGLE: ±1/2°			DRAWING TITLE: COAXIAL ISOLATOR		
DRAWN: Paiboon Luekhamhan		DATE: 11-21-2013	PART NO. IS-167/NF		
APPROVED: T. Nguyen		DATE: 11-21-2013	CAGE CODE: OD2L5	SIZE: A	REV: N/A
PROPRIETARY NOTICE: THE INFORMATION IN THIS DRAWING IS PROPRIETARY AND SHALL NOT BE USED OR DISCLOSED WITHOUT WRITTEN PERMISSION FROM MICROWAVE COMMUNICATIONS LABORATORIES INC. (MCLI)			DWG NO. 86423		DO NOT SCALE THE DRAWING

