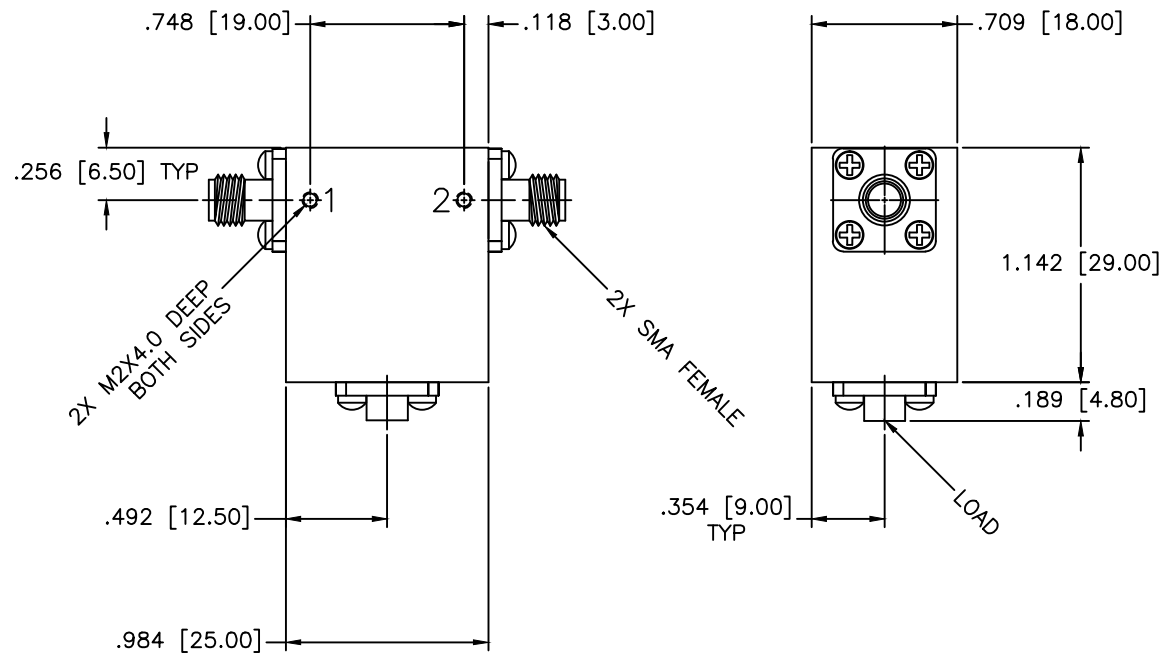


REVISIONS				
ZONE	REV	DESCRIPTION	Date	APPROVED



SPECIFICATIONS

Frequency Range: 5.2–5.8 GHz
 Isolation: 23dB Min.
 Insertion loss: 0.3dB Max.
 VSWR: 1.15:1 Max.
 Operating Temperature: –15°C to +71°C
 Storage Temperature: –40°C to +71°C
 Forward Power: 1 Watts

MATERIAL:		MCLI MICROWAVE COMMUNICATIONS LABORATORIES INC. 7255 30TH AVE. N. SAINT PETERSBURG, FL 33710 TEL: (727) 344-6254 FAX: (727) 381-6116 http://WWW.MCLI.COM	SCALE:	N/A
			SHEET:	N/A
UNLESS OTHERWISE SPECIFIED: TOLERANCES IN (INCHES) OR [mm] (MILLIMETERS) FRACTIONS: ± 1/64 DECIMALS: ±.01 ±.005 ANGLE: ±1/2°		DRAWING TITLE: COAXIAL ISOLATOR		
DRAWN: Paiboon Luekhamhan		PART NO.: IS-161		
DATE: 11-20-2020		CAGE CODE: OD2L5		
APPROVED: T. Nguyen		DATE: 11-20-2020		
THIRD ANGLE PROJECTION		SIZE: N/A	REV: A	DWG NO. 85878
		DO NOT SCALE THE DRAWING		