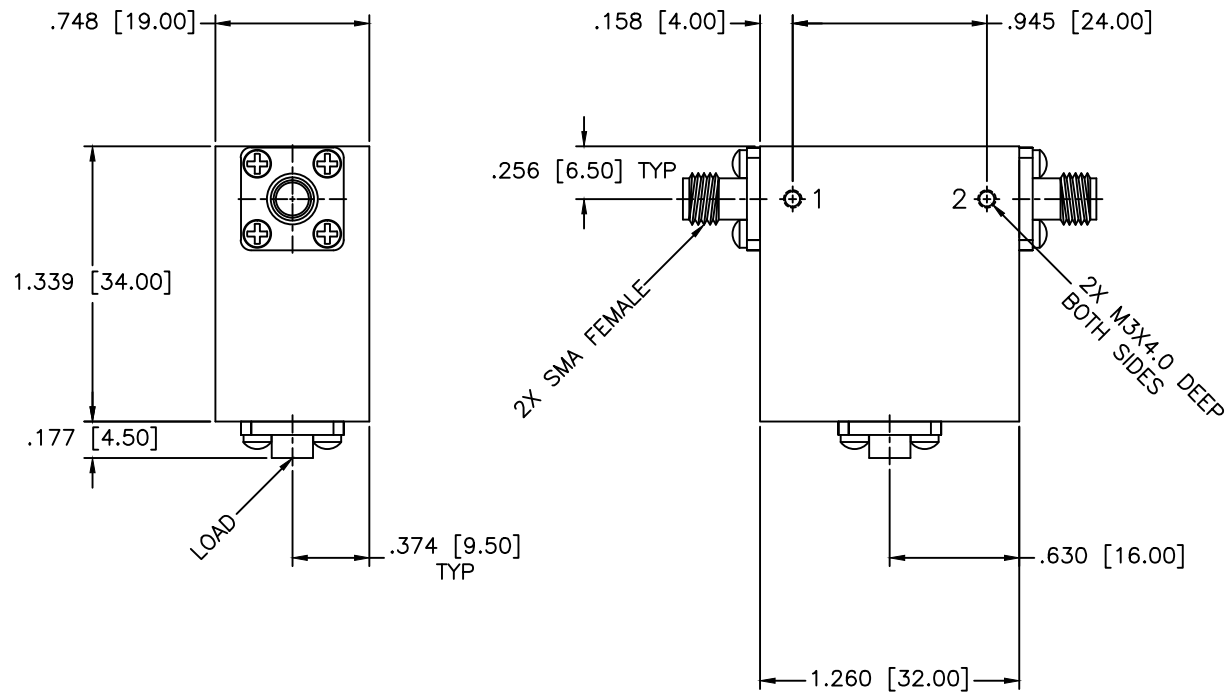


REVISIONS				
ZONE	REV	DESCRIPTION	Date	APPROVED



SPECIFICATIONS

Frequency Range: 3–6 GHz
 Isolation: 17dB Min.
 Insertion loss: 0.6dB Max.
 VSWR: 1.35:1 Max.
 Power Forward: 50 Watts
 Power Reverse: 10 Watts
 Operating Temperature: –30°C to +70°C

MATERIAL:		MCLI MICROWAVE COMMUNICATIONS LABORATORIES INC. 7255 30TH AVE. N. SAINT PETERSBURG, FL 33710 TEL: (727) 344-6254 FAX: (727) 381-6116 http://www.mcli.com	SCALE: N/A
			SHEET: N/A
UNLESS OTHERWISE SPECIFIED: TOLERANCES IN (INCHES) OR (mm) (MILLIMETERS) FRACTIONS: ± 1/64 DECIMALS: ± .02 ± .009 ANGLE: ± 1/2°		DRAWING TITLE: COAXIAL ISOLATOR	
DRAWN: Paiboon Luekhamhan		PART NO.: IS-16-10	
DATE: 02-19-2015		CAGE CODE: OD2L5	
APPROVED: T. Nguyen		SIZE: N/A	REV: N/A
DATE: 02-19-2015		DWG NO.: 86561	
THIRD ANGLE PROJECTION		DO NOT SCALE THE DRAWING	