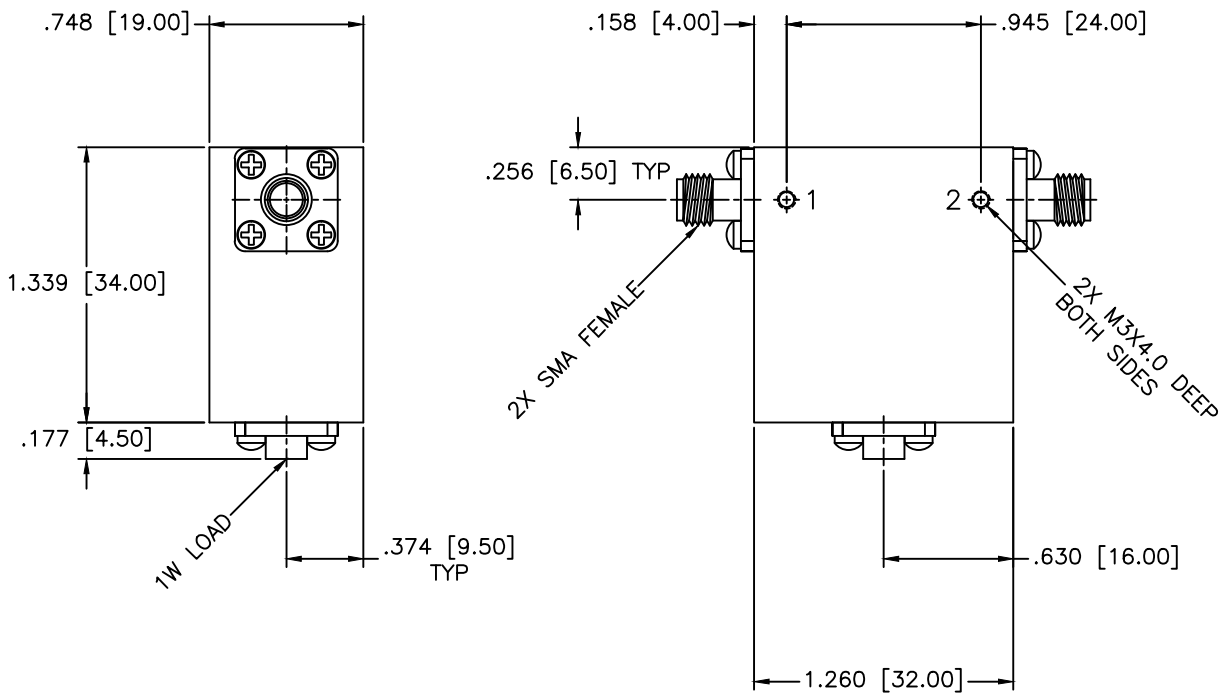


REVISIONS				
ZONE	REV	DESCRIPTION	Date	APPROVED



SPECIFICATIONS

Frequency Range: 3–6 GHz
 Isolation: 17dB Min.
 Insertion loss: 0.6dB Max.
 VSWR: 1.35:1 Max.
 Power Avg, Peak: 10W, 100W
 Operating Temperature: -30°C to +70°C

MATERIAL:	
DRAWN: Paiboon Luekhamhan	DATE: 07-15-2005
APPROVED: T. Nguyen	DATE: 07-15-2005

	MICROWAVE COMMUNICATIONS LABORATORIES INC. 7255 30TH AVE. N. SAINT PETERSBURG, FL 33710 TEL: (727) 344-6254 FAX: (727) 381-6116 http://WWW.MCLI.COM		SCALE:	N/A
	UNLESS OTHERWISE SPECIFIED: TOLERANCES IN (INCHES) OR [mm] (MILLIMETERS) FRACTIONS: ± 1/64 DECIMALS: ±.01 ±.005 ANGLE: ±1/2°		SHEET:	N/A
DRAWING TITLE: COAXIAL ISOLATOR		PART NO. IS-16-1		
CAGE CODE: OD2L5		SIZE:	N/A	REV:
THIRD ANGLE PROJECTION 		REV:	N/A	DWG NO. 83768
DO NOT SCALE THE DRAWING				