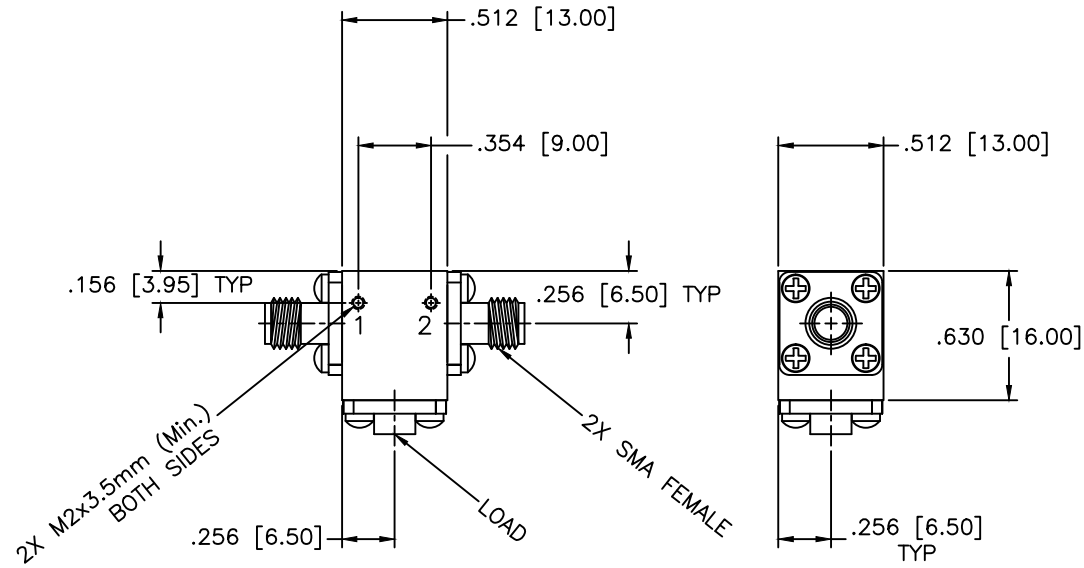


REVISIONS				
ZONE	REV	DESCRIPTION	Date	APPROVED



SPECIFICATIONS

Frequency Range: 15–18.2 GHz
 Isolation: 23dB Min.
 Insertion loss: 0.4dB Max.
 VSWR: 1.15:1 Max.
 Operating Temperature: –54°C to +85°C
 Forward Power: 2 Watts
 Reverse Power: 0.25 Watt

MATERIAL:		MCLI MICROWAVE COMMUNICATIONS LABORATORIES INC. 7255 30TH AVE. N. SAINT PETERSBURG, FL 33710 TEL: (727) 344-6254 FAX: (727) 381-6116 http://WWW.MCLI.COM	SCALE:	N/A
			SHEET:	N/A
UNLESS OTHERWISE SPECIFIED: TOLERANCES IN (INCHES) OR (mm) (MILLIMETERS) FRACTIONS: ± 1/64 DECIMALS: ±.01 ±.005 ANGLE: ±1/2°		DRAWING TITLE: COAXIAL ISOLATOR		
DRAWN: Paiboon Luekhamhan		PART NO. IS-159		
DATE: 07-27-2021		CAGE CODE:		
APPROVED: T. Nguyen		DATE: 07-27-2021		SIZE: N/A
THIRD ANGLE PROJECTION		REV: N/A		DWG NO. 85535
		OD2L5		DO NOT SCALE THE DRAWING