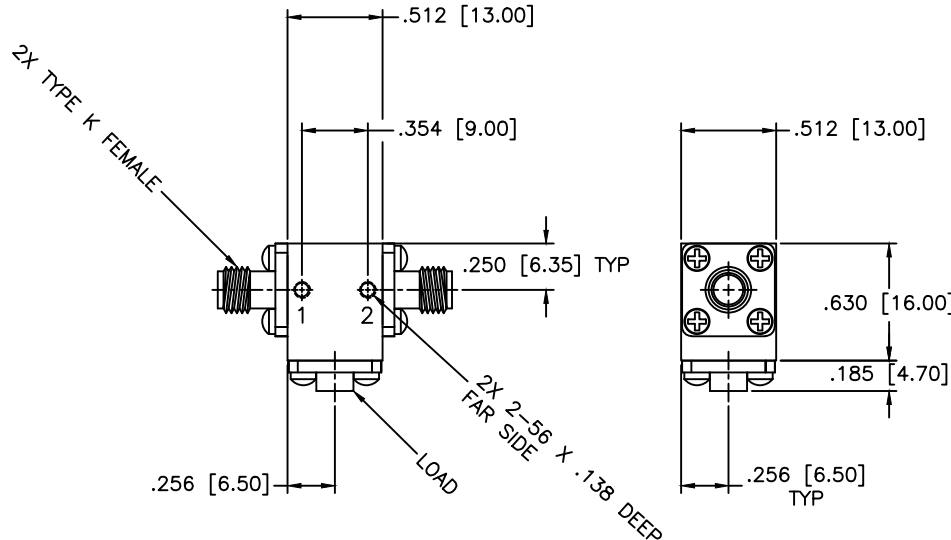


REVISIONS				
ZONE	REV	DESCRIPTION	DATE	APPROVED



**SPECIFICATIONS**

Frequency Range: 37–38 GHz  
 Isolation: 20dB Min.  
 Insertion loss: 1.0dB Max.  
 VSWR: 1.50:1 Max.  
 Operating Temperature: -10°C to +60°C

MATERIAL:		MICROWAVE COMMUNICATIONS LABORATORIES INC. 7255 30TH AVE. N. SAINT PETERSBURG, FL 33710 TEL: (727) 344-6254 FAX: (727) 381-6116 http://WWW.MCLI.COM	SCALE:	N/A
			SHEET:	N/A
UNLESS OTHERWISE SPECIFIED: TOLERANCES IN (INCHES) OR [mm] (MILLIMETERS) FRACTIONS: ± 1/64 DECIMALS: ±.02 ±.010 ANGLE: ±1/2°		DRAWING TITLE:		
		COAXIAL ISOLATOR		
DRAWN:		PART NO.		
Paiboon Luekhamhan		IS-150/KF		
DATE:	08-17-2011	PROPRIETARY NOTICE: THE INFORMATION IN THIS DRAWING IS PROPRIETARY AND SHALL NOT BE USED OR DISCLOSED WITHOUT WRITTEN PERMISSION FROM MICROWAVE COMMUNICATIONS LABORATORIES INC. (MCLI)	CAGE CODE:	SIZE:
APPROVED:	08-17-2011		OD2L5	A
T. Nguyen		THIRD ANGLE PROJECTION	REV:	DWG NO.
			N/A	85838
DO NOT SCALE THE DRAWING				