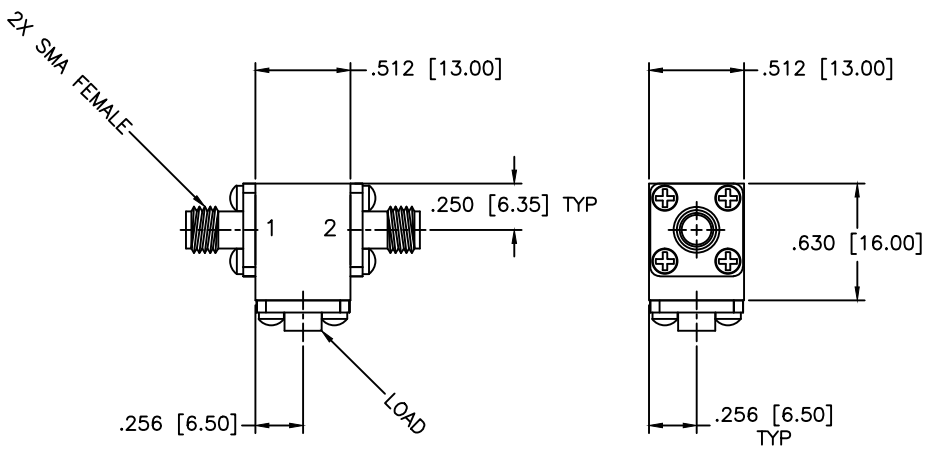


REVISIONS				
ZONE	REV	DESCRIPTION	DATE	APPROVED



SPECIFICATIONS

Frequency Range: 9–10 GHz
 Isolation: 20dB Min.
 Insertion loss: 0.5dB Max.
 VSWR: 1.25:1 Max.
 Operating Temperature: -54°C to +85°C

MATERIAL:			MICROWAVE COMMUNICATIONS LABORATORIES INC. 7255 30TH AVE. N. SAINT PETERSBURG, FL 33710 TEL: (727) 344-6254 FAX: (727) 381-6116 http://WWW.MCLI.COM		SCALE:	N/A	
			UNLESS OTHERWISE SPECIFIED: TOLERANCES IN (INCHES) OR [mm] (MILLIMETERS) FRACTIONS: ± 1/64 DECIMALS: ±.02 ±.010 ANGLE: ±1/2°		DRAWING TITLE:	COAXIAL ISOLATOR	
DRAWN:		DATE:		PART NO.		IS-148	
Paiboon Luekhamhan		08-17-2011		IS-148			
APPROVED:		DATE:		CAGE CODE:	SIZE:	REV:	DWG NO.
T. Nguyen		08-17-2011		OD2L5	A	N/A	85836
				THIRD ANGLE PROJECTION		DO NOT SCALE THE DRAWING	