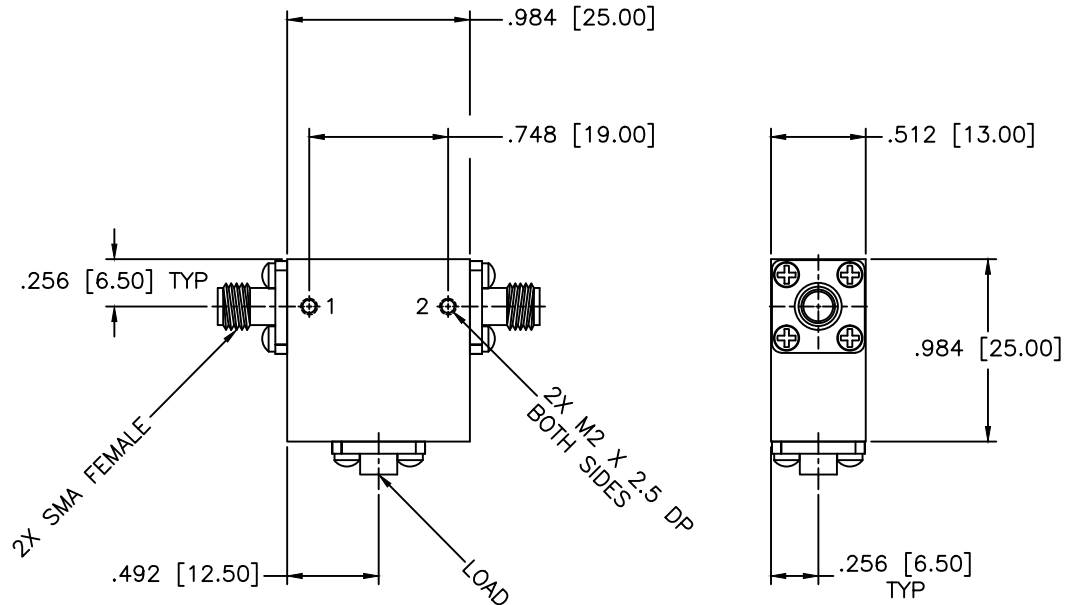


REVISIONS				
ZONE	REV	DESCRIPTION	DATE	APPROVED



SPECIFICATIONS

Frequency Range: 3.1–3.3 GHz
 Isolation: 20dB Min.
 Insertion loss: 0.5dB Max.
 VSWR: 1.25:1 Max.
 Operating Temperature: -54°C to +85°C

MATERIAL:		MICROWAVE COMMUNICATIONS LABORATORIES INC. 7255 30TH AVE. N. SAINT PETERSBURG, FL 33710 TEL: (727) 344-6254 FAX: (727) 381-6116 http://WWW.MCLI.COM	SCALE:	N/A
			SHEET:	N/A
		UNLESS OTHERWISE SPECIFIED: TOLERANCES IN (INCHES) OR [mm] (MILLIMETERS) FRACTIONS: ± 1/64 DECIMALS: ±.02 ±.010 ANGLE: ±1/2°	DRAWING TITLE: COAXIAL ISOLATOR	
		PROPRIETARY NOTICE: THE INFORMATION IN THIS DRAWING IS PROPRIETARY AND SHALL NOT BE USED OR DISCLOSED WITHOUT WRITTEN PERMISSION FROM MICROWAVE COMMUNICATIONS LABORATORIES INC. (MCLI)	PART NO. IS-146	
DRAWN: Paiboon Luekhamhan	DATE: 08-17-2011	CAGE CODE: OD2L5	SIZE: A	REV: N/A
APPROVED: T. Nguyen	DATE: 08-17-2011		DWG NO. 85832	
		DO NOT SCALE THE DRAWING		

