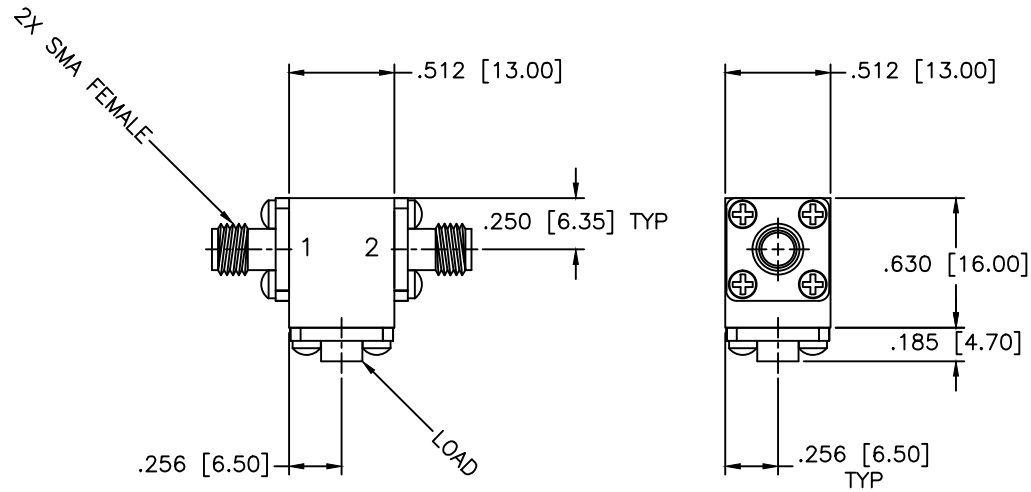


REVISIONS				
ZONE	REV	DESCRIPTION	Date	APPROVED



SPECIFICATIONS

Frequency Range: 10.8–12.9 GHz
 Isolation: 23dB Min.
 Insertion loss: 0.35dB Max.
 VSWR: 1.15:1 Max.
 Average Power: 1 Watt

Environmental

Operating Temperature: -25°C to +80°C
 Storage Temperature: -55°C to +95°C
 Vibrations: 20 G's
 Shock: 100 G's
 Humidity: 90%
 Weight: 19 Grams (Typ.)

MATERIAL:		MICROWAVE COMMUNICATIONS LABORATORIES INC. 7255 30TH AVE. N. SAINT PETERSBURG, FL 33710 TEL: (727) 344-6254 FAX: (727) 381-6116 http://WWW.MCLI.COM	SCALE:	N/A
			SHEET:	N/A
		<small>UNLESS OTHERWISE SPECIFIED: TOLERANCES IN (INCHES) OR (mm) (MILLIMETERS) FRACTIONS: ± 1/64 DECIMALS: ±.01 ±.005 ANGLE: ±1/2°</small>	DRAWING TITLE: COAXIAL ISOLATOR	
			PART NO. IS-141	
DRAWN: Paiboon Luekhamhan	DATE: 05-19-2011	<small>PROPRIETARY NOTICE: THE INFORMATION IN THIS DRAWING IS PROPRIETARY AND SHALL NOT BE USED OR DISCLOSED WITHOUT WRITTEN PERMISSION FROM MICROWAVE COMMUNICATIONS LABORATORIES INC. (MCLI)</small>	CAGE CODE:	SIZE: N/A
APPROVED: T. Nguyen	DATE: 05-19-2011			REV: N/A
			DO NOT SCALE THE DRAWING	