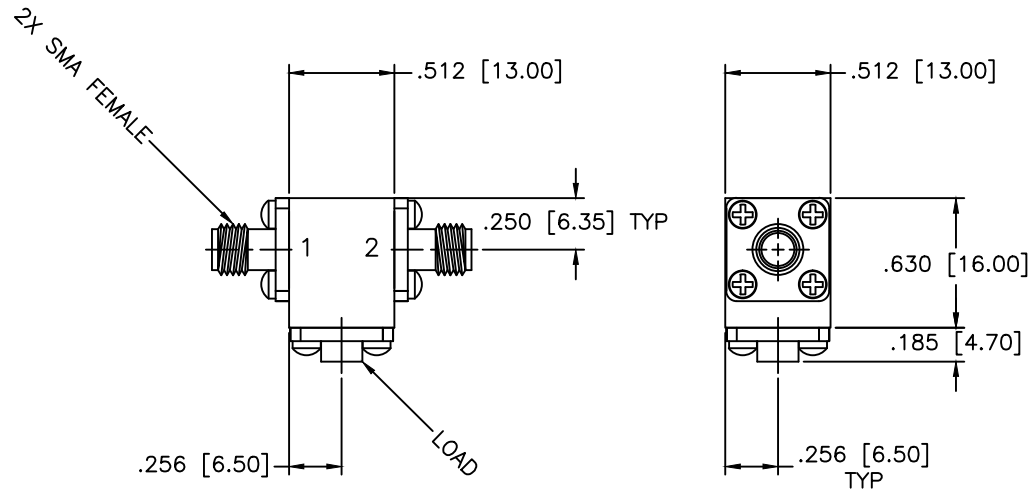


REVISIONS				
ZONE	REV	DESCRIPTION	Date	APPROVED



SPECIFICATIONS

Frequency Range: 13–14.6 GHz  
 Isolation: 23dB Min.  
 Insertion loss: 0.35dB Max.  
 VSWR: 1.15:1 Max.  
 Average Power: 1 Watt

Environmental

Operating Temperature: -25°C to +80°C  
 Storage Temperature: -55°C to +95°C  
 Vibrations: 20 G's  
 Shock: 100 G's  
 Humidity: 90%  
 Weight: 19 Grams (Typ.)

MATERIAL:		<b>MCLI</b> MICROWAVE COMMUNICATIONS LABORATORIES INC. 7255 30TH AVE. N. SAINT PETERSBURG, FL 33710 TEL: (727) 344-6254 FAX: (727) 381-6116 <a href="http://WWW.MCLI.COM">http://WWW.MCLI.COM</a>	SCALE:	N/A
			SHEET:	N/A
UNLESS OTHERWISE SPECIFIED: TOLERANCES IN (INCHES) OR (mm) (MILLIMETERS) FRACTIONS: ± 1/64 DECIMALS: ±.01 ±.005 ANGLE: ±1/2°		DRAWING TITLE: <b>COAXIAL ISOLATOR</b>		
DRAWN: Paiboon Luekhamhan		PART NO.: IS-140		
DATE: 05-19-2011		CAGE CODE: OD2L5		
APPROVED: T. Nguyen		DATE: 05-19-2011		
THIRD ANGLE PROJECTION		SIZE: N/A	REV: N/A	DWG NO.: 85690
		DO NOT SCALE THE DRAWING		