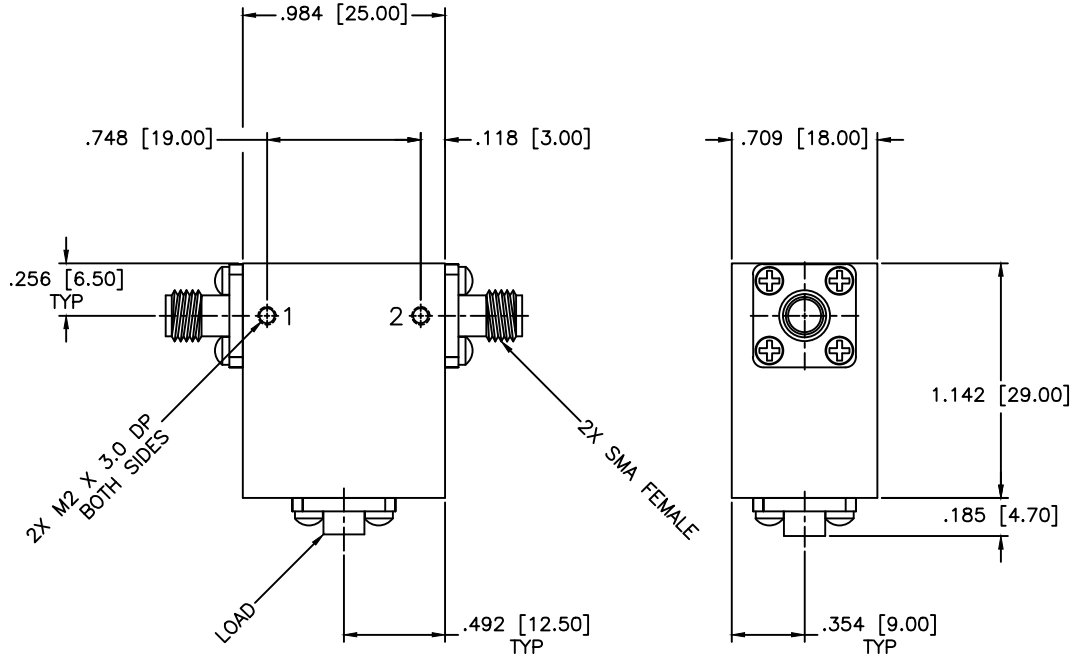


REVISIONS				
ZONE	REV	DESCRIPTION	Date	APPROVED



SPECIFICATIONS

Frequency Range: 5–11GHz  
 Isolation: 15dB Min.  
 Insertion loss: 0.80dB Max.  
 VSWR: 1.40:1 Max.  
 Operating Temperature: -10°C to +60°C  
 Average Power: 1 Watt  
 R.O.H.S. Compliant

MATERIAL:		<b>MCLI</b> MICROWAVE COMMUNICATIONS LABORATORIES INC. 7255 30TH AVE. N. SAINT PETERSBURG, FL 33710 TEL: (727) 344-6254 FAX: (727) 381-6116 <a href="http://WWW.MCLI.COM">http://WWW.MCLI.COM</a>	SCALE:	N/A			
			SHEET:	N/A			
		UNLESS OTHERWISE SPECIFIED: TOLERANCES IN (INCHES) OR [mm] (MILLIMETERS) FRACTIONS: ± 1/64 DECIMALS: ±.01 ±.005 ANGLE: ±1/2°	DRAWING TITLE: <b>COAXIAL ISOLATOR</b>				
		PROPERTY NOTICE: THE INFORMATION IN THIS DRAWING IS PROPRIETARY AND SHALL NOT BE USED OR DISCLOSED WITHOUT WRITTEN PERMISSION FROM MICROWAVE COMMUNICATIONS LABORATORIES INC. (MCLI)	PART NO. <b>IS-137</b>				
DRAWN: Paiboon Luekhamhan	DATE: 03-22-2011	THIRD ANGLE PROJECTION	CAGE CODE:	OD2L5			
APPROVED: T. Nguyen	DATE: 03-22-2011		SIZE:	N/A	REV:	N/A	DWG NO.:
		DO NOT SCALE THE DRAWING					