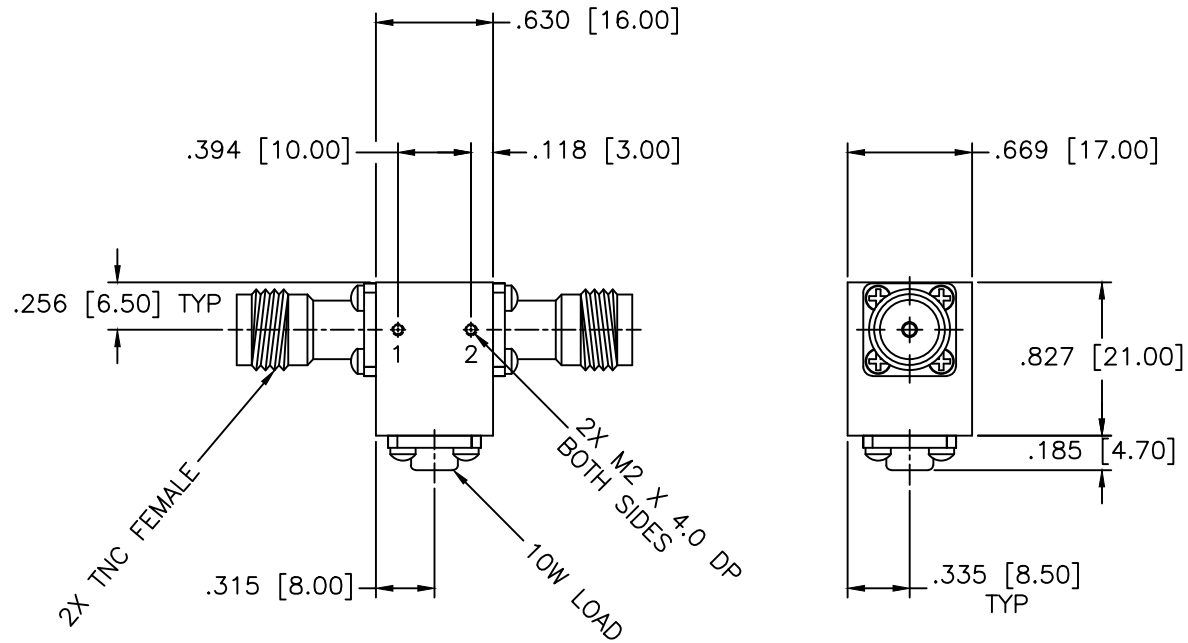


REVISIONS				
ZONE	REV	DESCRIPTION	Date	APPROVED



SPECIFICATIONS

Frequency Range: 10–14 GHz
 Isolation: 23dB Min.
 Insertion loss: 0.40dB Max.
 VSWR: 1.25:1 Max.
 Operating Temperature: –54°C to +85°C
 Reverse Power: 10 Watts

MATERIAL:		MCLI MICROWAVE COMMUNICATIONS LABORATORIES INC. 7255 30TH AVE. N. SAINT PETERSBURG, FL 33710 TEL: (727) 344-6254 FAX: (727) 381-6116 http://WWW.MCLI.COM	SCALE: N/A
			SHEET: N/A
UNLESS OTHERWISE SPECIFIED: TOLERANCES IN (INCHES) OR [mm] (MILLIMETERS) FRACTIONS: ± 1/64 DECIMALS: ±.01 ±.005 ANGLE: ±1/2°		DRAWING TITLE: COAXIAL ISOLATOR	
DRAWN: Paiboon Luekhamhan		PART NO.: IS-132/TF	
DATE: 10-21-2010		CAGE CODE: OD2L5	
APPROVED: T. Nguyen		SIZE: A	REV: N/A
DATE: 10-21-2010		DWG NO.: 85087	
<small>PROPRIETARY NOTICE: THE INFORMATION IN THIS DRAWING IS PROPRIETARY AND SHALL NOT BE USED OR DISCLOSED WITHOUT WRITTEN PERMISSION FROM MICROWAVE COMMUNICATIONS LABORATORIES INC. (MCLI)</small>		DO NOT SCALE THE DRAWING	