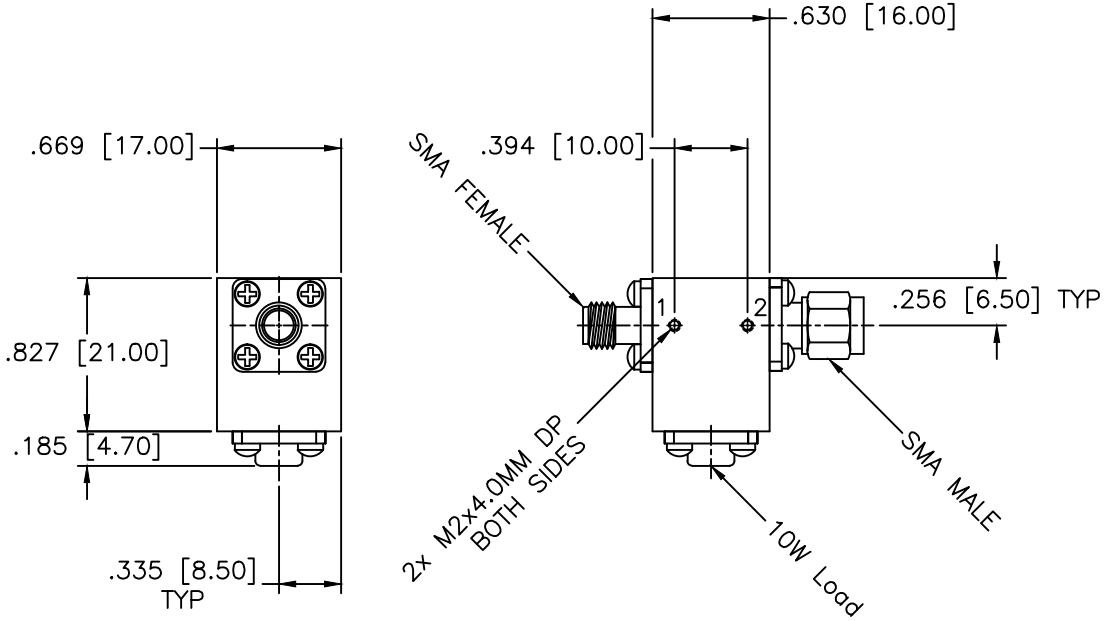


REVISIONS				
ZONE	REV	DESCRIPTION	Date	APPROVED



SPECIFICATIONS AT +25±5°C

Frequency Range: 10–14 GHz
 Isolation: 26dB Min.
 Insertion loss: 0.45dB Max.
 VSWR: 1.18:1 Max.

Operating Temperature: -54°C to +85°C
 Isolation: 23dB Min.
 Insertion loss: 0.50dB Max.
 VSWR: 1.25:1 Max.
 Average Power: 10 Watts

10W Termination
 Isolator Flange held to +85°C
 20 Minutes Max. Duration

MATERIAL:		MCLI MICROWAVE COMMUNICATIONS LABORATORIES INC. 7255 30TH AVE. N. SAINT PETERSBURG, FL 33710 TEL: (727) 344-6254 FAX: (727) 381-6116 http://WWW.MCLI.COM	SCALE:	N/A
			SHEET:	N/A
UNLESS OTHERWISE SPECIFIED: TOLERANCES IN (INCHES) OR [mm] (MILLIMETERS) FRACTIONS: ± 1/64 DECIMALS: ±XX ±.019 ANGLE: ±1/2°		DRAWING TITLE: COAXIAL ISOLATOR		
DRAWN: Paiboon L.		PART NO.: IS-132/SMO		
DATE: 09-17-2025		CAGE CODE: OD2L5		
APPROVED: T. Nguyen		DATE: 09-11-2025		
THIRD ANGLE PROJECTION		SIZE: A	REV: N/A	DWG NO.: 87356
		DO NOT SCALE THE DRAWING		