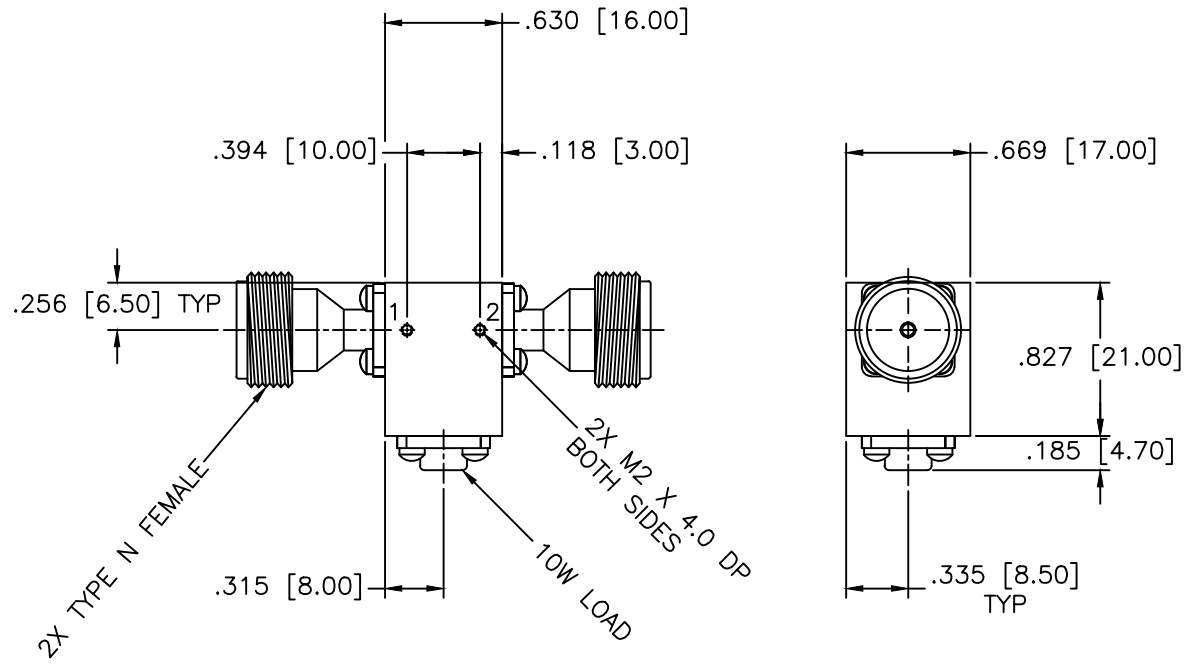


REVISIONS				
ZONE	REV	DESCRIPTION	Date	APPROVED



**SPECIFICATIONS**

Frequency Range: 10–14 GHz  
 Isolation: 23dB Min.  
 Insertion loss: 0.40dB Max.  
 VSWR: 1.25:1 Max.  
 Operating Temperature: –54°C to +85°C  
 Reverse Power: 10 Watts

MATERIAL:		<b>MCLI</b> MICROWAVE COMMUNICATIONS LABORATORIES INC. 7255 30TH AVE. N. SAINT PETERSBURG, FL 33710 TEL: (727) 344-6254 FAX: (727) 381-6116 <a href="http://WWW.MCLI.COM">http://WWW.MCLI.COM</a>	SCALE: N/A
			SHEET: N/A
UNLESS OTHERWISE SPECIFIED: TOLERANCES IN (INCHES) OR [mm] (MILLIMETERS) FRACTIONS: ± 1/64 DECIMALS: ±.01 ±.005 ANGLE: ±1/2°		DRAWING TITLE: <b>COAXIAL ISOLATOR</b>	
DRAWN: Paiboon Luekhamhan		PART NO.: IS-132/NF	
DATE: 10-28-2010		CAGE CODE: OD2L5	
APPROVED: T. Nguyen		DATE: 10-28-2010	
THIRD ANGLE PROJECTION		SIZE: A	REV: N/A
		DWG NO.: 85092	
DO NOT SCALE THE DRAWING			