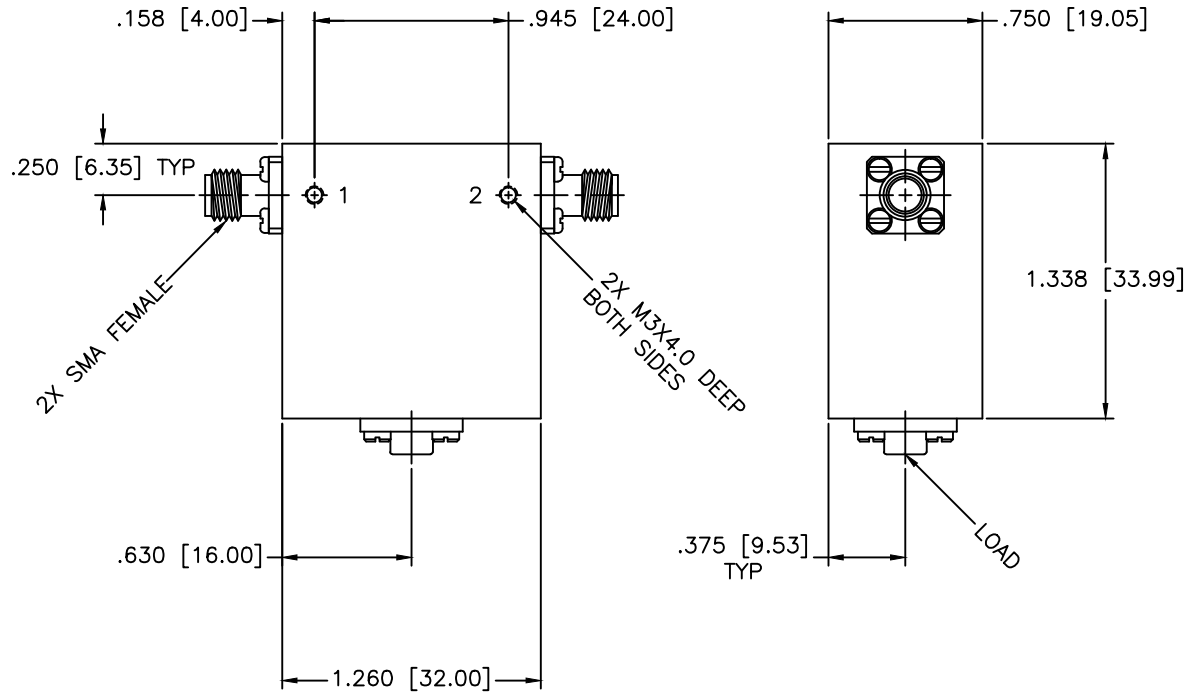


| REVISIONS |     |             |      |          |
|-----------|-----|-------------|------|----------|
| ZONE      | REV | DESCRIPTION | Date | APPROVED |



**SPECIFICATIONS**

Frequency Range: 2.6–5.2 GHz  
 Isolation: 18dB Min.  
 Insertion loss: 0.5dB Max.  
 VSWR: 1.35:1 Max.  
 Power Average, Peak: 25W, 250W  
 Reflective Power: 10W  
 Operating Temperature: -30°C to +70°C

|  |                     |   |                          |                  |          |          |       |
|--|---------------------|---|--------------------------|------------------|----------|----------|-------|
| MATERIAL:  |                     | <b>MICROWAVE COMMUNICATIONS LABORATORIES INC.</b><br>7255 30TH AVE. N. SAINT PETERSBURG, FL 33710<br>TEL: (727) 344-6254 FAX: (727) 381-6116<br>http://WWW.MCLI.COM                                 | SCALE:                   | N/A              |          |          |       |
| UNLESS OTHERWISE SPECIFIED:<br>TOLERANCES<br>IN (INCHES) OR [mm] (MILLIMETERS)<br>FRACTIONS: ± 1/64<br>DECIMALS: ± 0.01 ± 0.005<br>ANGLE: ± 1/2° |                     |   | DRAWING TITLE:           | COAXIAL ISOLATOR |          |          |       |
| DRAWN:<br>Paiboon Luekhamhan   | DATE:<br>08-06-2001 | PROPRIETARY NOTICE:<br>THE INFORMATION IN THIS DRAWING IS PROPRIETARY<br>AND SHALL NOT BE USED OR DISCLOSED WITHOUT WRITTEN<br>PERMISSION FROM MICROWAVE COMMUNICATIONS<br>LABORATORIES INC. (MCLI) | PART NO.:                | IS-13            |          |          |       |
| APPROVED:<br>T. Nguyen   | DATE:<br>08-06-2001 | THIRD ANGLE PROJECTION<br>  | CAGE CODE:               | SIZE: N/A        | REV: N/A | DWG NO.: | 82092 |
|  |                     |   | DO NOT SCALE THE DRAWING |                  |          |          |       |