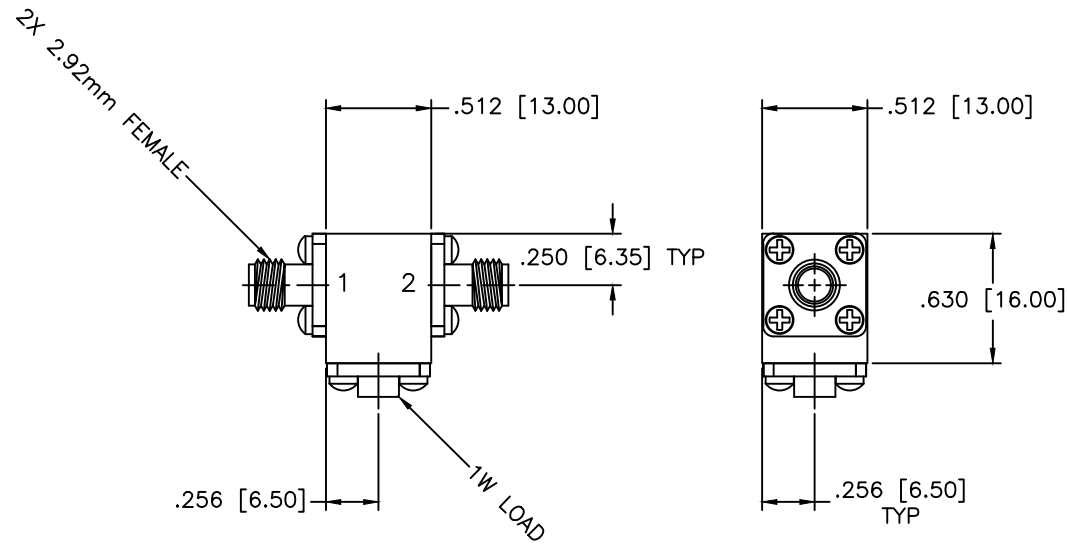


REVISIONS				
ZONE	REV	DESCRIPTION	Date	APPROVED



SPECIFICATIONS

Frequency Range: 35–40 GHz
 Isolation: 16dB Min.
 Insertion loss: 1.3dB Max.
 VSWR: 1.40:1 Max.
 Operating Temperature: -10°C to +60°C

MATERIAL:		MCLI MICROWAVE COMMUNICATIONS LABORATORIES INC. 7255 30TH AVE. N. SAINT PETERSBURG, FL 33710 TEL: (727) 344-6254 FAX: (727) 381-6116 http://WWW.MCLI.COM	SCALE:	N/A
			SHEET:	N/A
UNLESS OTHERWISE SPECIFIED: TOLERANCES IN (INCHES) OR [mm] (MILLIMETERS) FRACTIONS: ± 1/64 DECIMALS: ±.01 ±.005 ANGLE: ±1/2°		DRAWING TITLE: COAXIAL ISOLATOR		
DRAWN: Paiboon Luekhamhan		PART NO. IS-127		
DATE: 03-01-2010		CAGE CODE: OD2L5		
APPROVED: T. Nguyen		DATE: 03-01-2010		DWG NO. 84723
THIRD ANGLE PROJECTION		DO NOT SCALE THE DRAWING		