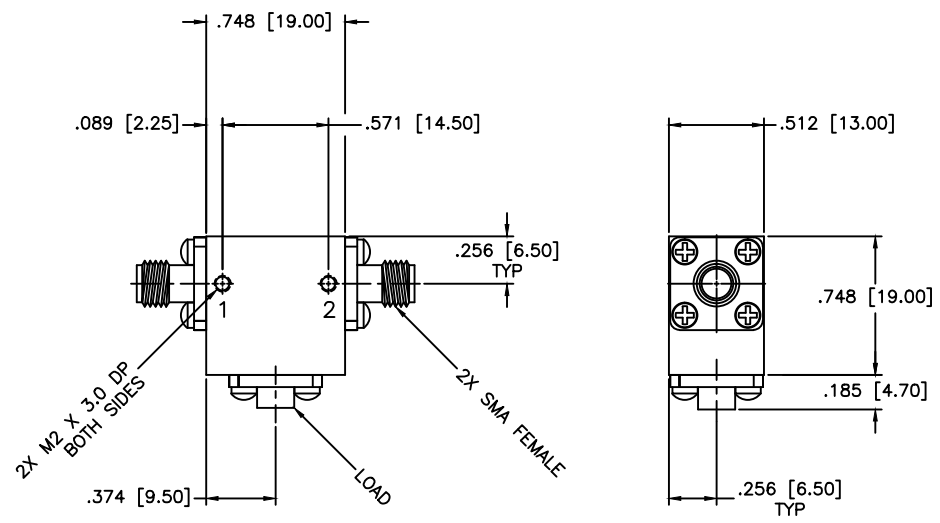


REVISIONS				
ZONE	REV	DESCRIPTION	Date	APPROVED



SPECIFICATIONS

Frequency Range: 3.9–4.6 GHz
 Isolation: 20dB Min.
 Insertion loss: 0.4dB Max.
 VSWR: 1.25:1 Max.
 Operating Temperature: –54°C to +95°C

MATERIAL:		MCLI MICROWAVE COMMUNICATIONS LABORATORIES INC. 7255 30TH AVE. N. SAINT PETERSBURG, FL 33710 TEL: (727) 344-6254 FAX: (727) 381-6116 http://www.mcli.com	SCALE:	N/A	
UNLESS OTHERWISE SPECIFIED: TOLERANCES IN (INCHES) OR [mm] (MILLIMETERS) FRACTIONS: ± N/A DECIMALS: ± .025 ANGLE: ± 1/2°			DRAWING TITLE:	COAXIAL ISOLATOR	
DRAWN:		<small>PROPRIETARY NOTICE: THE INFORMATION IN THIS DRAWING IS PROPRIETARY AND SHALL NOT BE USED OR DISCLOSED WITHOUT WRITTEN PERMISSION FROM MICROWAVE COMMUNICATIONS LABORATORIES INC. (MCLI)</small>	PART NO.	IS-125	
DRAWN: Paiboon Luexhamhan DATE: 12-10-2009			CAGE CODE:	SIZE: A	REV: N/A
APPROVED:			OD2L5	DO NOT SCALE THE DRAWING	
APPROVED: T. Nguyen DATE: 12-10-2009					84654