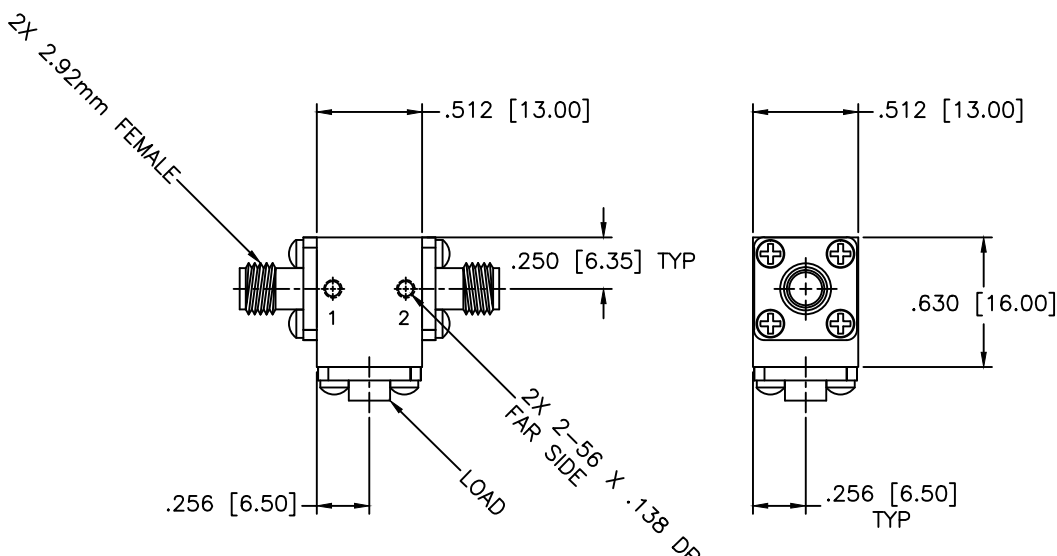


REVISIONS				
ZONE	REV	DESCRIPTION	Date	APPROVED



SPECIFICATIONS

Frequency Range: 27–31 GHz
 Isolation: 20dB Min.
 Insertion loss: 1.1dB Max.
 VSWR: 1.35:1 Max.
 Average Power: 1 Watt
 Operating Temperature: -10°C to +60°C

MATERIAL:	
DRAWN: Paiboon Luekhamhan	DATE: 07-26-2013
APPROVED: T. Nguyen	DATE: 07-26-2013

	MICROWAVE COMMUNICATIONS LABORATORIES INC. 7255 30TH AVE. N. SAINT PETERSBURG, FL 33710 TEL: (727) 344-6254 FAX: (727) 381-6116 http://www.mcli.com		SCALE:	N/A
	UNLESS OTHERWISE SPECIFIED: TOLERANCES IN (INCHES) OR (mm) (MILLIMETERS) FRACTIONS: ± 1/64 DECIMALS: ±.01 ±.005 ANGLE: ±1/2°		SHEET:	N/A
DRAWING TITLE: COAXIAL ISOLATOR		PART NO.: IS-124		
PROPRIETARY NOTICE: THE INFORMATION IN THIS DRAWING IS PROPRIETARY AND SHALL NOT BE USED OR DISCLOSED WITHOUT WRITTEN PERMISSION FROM MICROWAVE COMMUNICATIONS LABORATORIES INC. (MCLI)		CAGE CODE:	SIZE:	REV:
THIRD ANGLE PROJECTION 		OD2L5	N/A	A
		DO NOT SCALE THE DRAWING		DWG NO. 84721