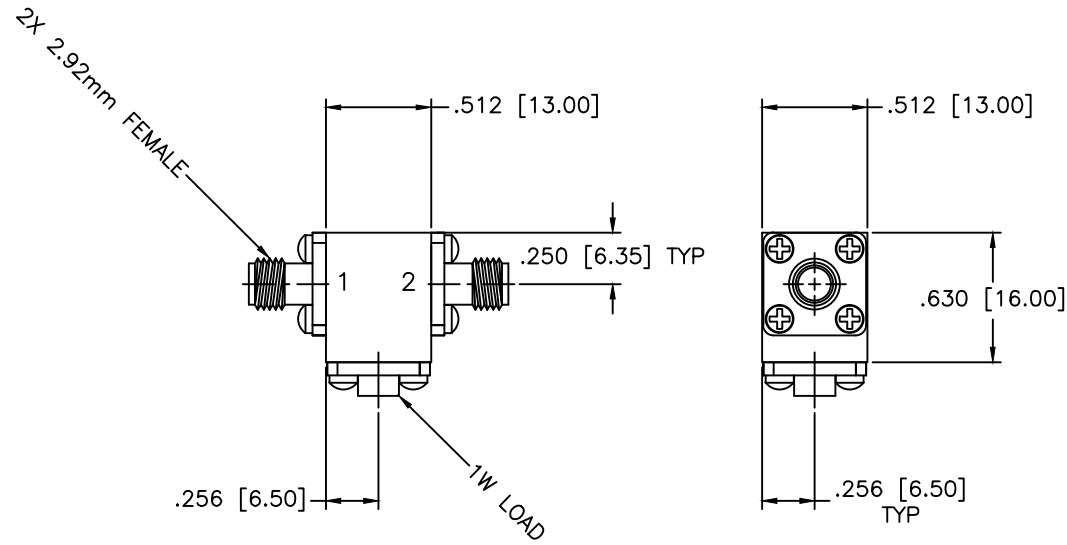


REVISIONS				
ZONE	REV	DESCRIPTION	Date	APPROVED



**SPECIFICATIONS**

Frequency Range: 25–27 GHz  
 Isolation: 20dB Min.  
 Insertion loss: 1.0dB Max.  
 VSWR: 1.35:1 Max.  
 Power: 1W AVG. / 100W Peak  
 Operating Temperature: -10°C to +60°C

MATERIAL:		<b>MCLI</b> MICROWAVE COMMUNICATIONS LABORATORIES INC. 7255 30TH AVE. N. SAINT PETERSBURG, FL 33710 TEL: (727) 344-6254 FAX: (727) 381-6116 <a href="http://WWW.MCLI.COM">http://WWW.MCLI.COM</a>	SCALE:	N/A
			SHEET:	N/A
UNLESS OTHERWISE SPECIFIED: TOLERANCES IN (INCHES) OR [mm] (MILLIMETERS) FRACTIONS: ± 1/64 DECIMALS: ±.01 ±.005 ANGLE: ±1/2°		DRAWING TITLE: <b>COAXIAL ISOLATOR</b>		
DRAWN: Paiboon Luekhamhan		PART NO. <b>IS-123</b>		
DATE: 03-01-2010		CAGE CODE: OD2L5		
APPROVED: T. Nguyen		DATE: 03-01-2010		SIZE: N/A
THIRD ANGLE PROJECTION		REV: A		DWG NO. 84720
		DO NOT SCALE THE DRAWING		