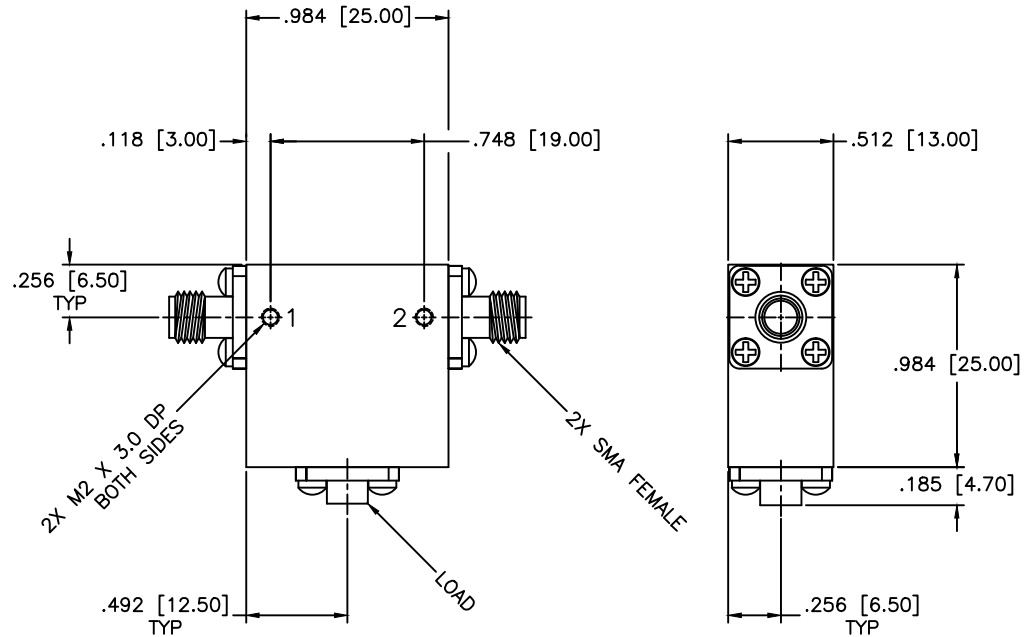


REVISIONS				
ZONE	REV	DESCRIPTION	Date	APPROVED



SPECIFICATIONS

Frequency Range: 2.85–3.30 GHz
 Isolation: 20dB Min.
 Insertion loss: 0.35dB Max.
 VSWR: 1.25:1 Max.

MATERIAL:		MCLI MICROWAVE COMMUNICATIONS LABORATORIES INC. 7255 30TH AVE. N. SAINT PETERSBURG, FL 33710 TEL: (727) 344-6254 FAX: (727) 381-6116 http://www.mcli.com	SCALE:	N/A
			SHEET:	N/A
UNLESS OTHERWISE SPECIFIED: TOLERANCES IN (INCHES) OR [mm] (MILLIMETERS) FRACTIONS: ± 1/64 DECIMALS: ±.01 ±.005 ANGLE: ±1/2°		DRAWING TITLE: COAXIAL ISOLATOR		
DRAWN: Paiboon Luekhamhan		PART NO.: IS-120		
DATE: 07-29-2009		CAGE CODE: OD2L5		
APPROVED: T. Nguyen		DATE: 07-29-2009		
THIRD ANGLE PROJECTION		SIZE: N/A	REV: N/A	DWG NO.: 84570
		DO NOT SCALE THE DRAWING		