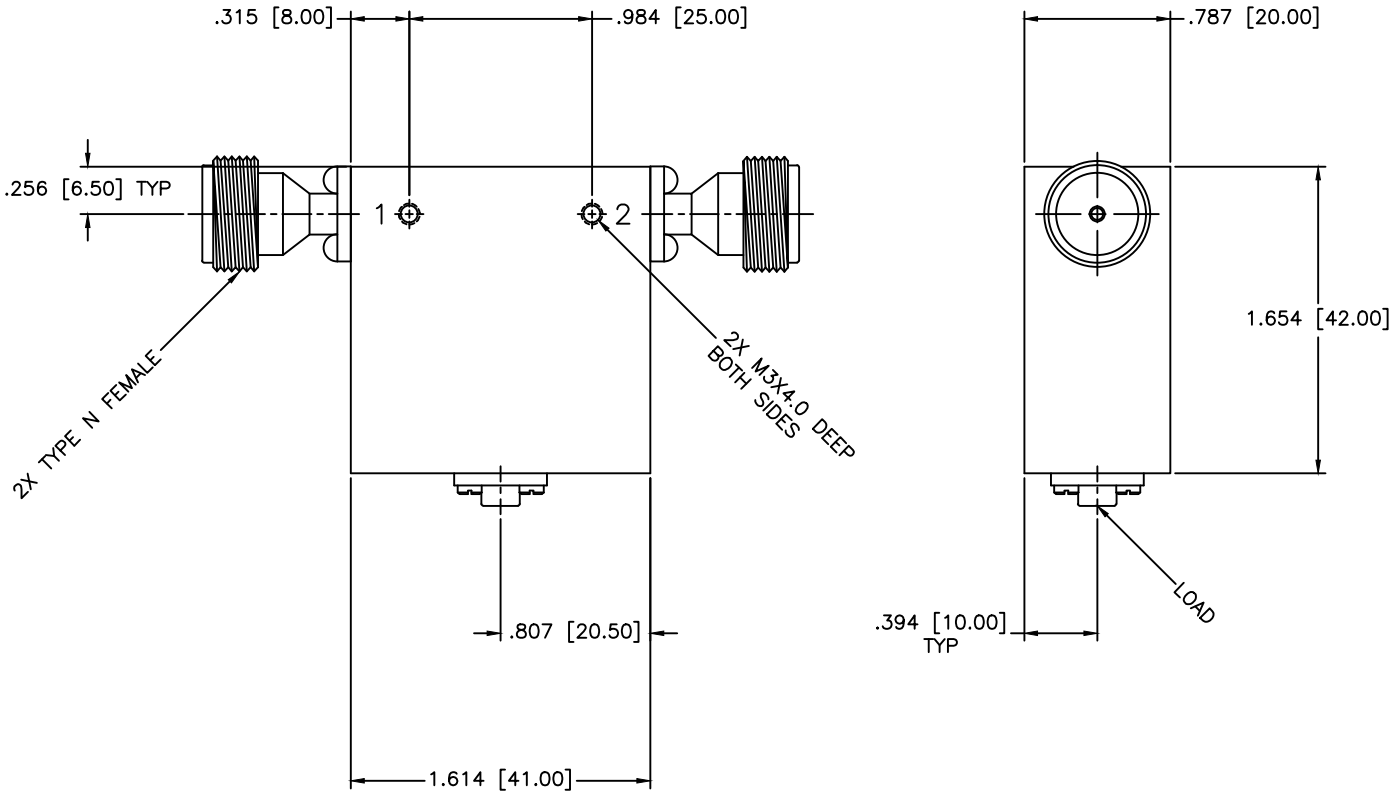


REVISIONS				
ZONE	REV	DESCRIPTION	DATE	APPROVED



**SPECIFICATIONS**

Frequency Range: 2-4 GHz  
 Power Avg/Peak: 1 Watt / 100 Watts  
 Isolation: 17dB Min.  
 Insertion loss: 0.50 dB Max.  
 VSWR: 1.35:1 Max.  
 Operating Temperature: -30°C to +70°C

MATERIAL:		MICROWAVE COMMUNICATIONS LABORATORIES INC. 7255 30TH AVE. N. SAINT PETERSBURG, FL 33710 TEL: (727) 344-6254 FAX: (727) 381-6116 http://WWW.MCLI.COM	SCALE:	N/A		
			SHEET:	N/A		
DRAWING TITLE:		ISOLATOR				
PART NO.:		IS-10/NF				
DRAWN:	DATE:	UNLESS OTHERWISE SPECIFIED: TOLERANCES IN (INCHES) OR [mm] (MILLIMETERS) FRACTIONS: ± 1/64 DECIMALS: ±.01 ±.005 ANGLE: ±1/2°	CAGE CODE:	SIZE:	REV:	DWG NO.:
Paiboon Luekhamhan	10-08-1998		OD2L5	A	N/A	83063
APPROVED:	DATE:	PROPRIETARY NOTICE: THE INFORMATION IN THIS DRAWING IS PROPRIETARY AND SHALL NOT BE USED OR DISCLOSED WITHOUT WRITTEN PERMISSION FROM MICROWAVE COMMUNICATIONS LABORATORIES INC. (MCLI) THIRD ANGLE PROJECTION	DO NOT SCALE THE DRAWING			
T. Nguyen	10-08-1998					