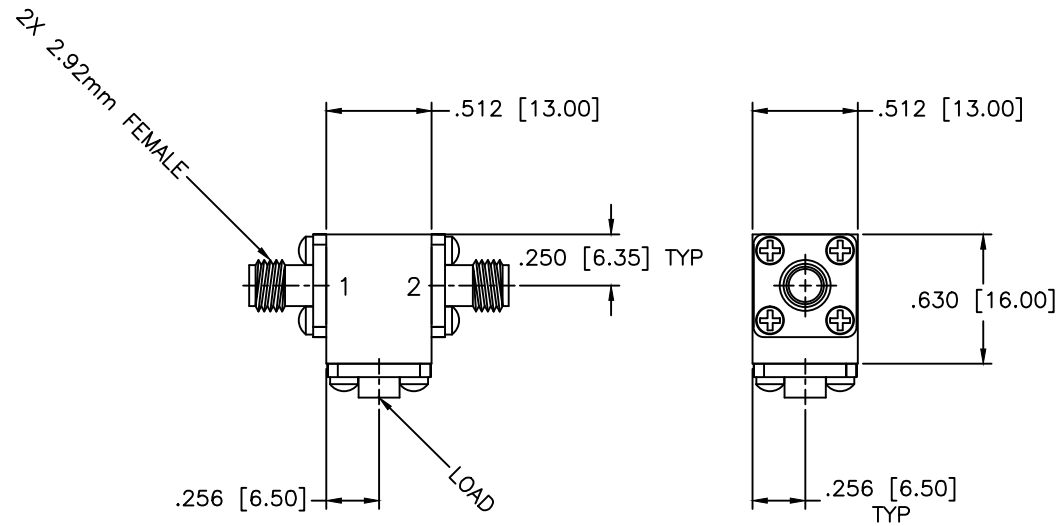


REVISIONS				
ZONE	REV	DESCRIPTION	Date	APPROVED



SPECIFICATIONS

Frequency Range: 24.5–26.5 GHz
 Isolation: 19dB Min.
 Insertion loss: 0.70dB Max.
 VSWR: 1.27:1 Max.
 Operating Temperature: –54°C to +85°C
 Circulator Power: 25W Avg, 250W Peak

MATERIAL:		MCLI MICROWAVE COMMUNICATIONS LABORATORIES INC. 7255 30TH AVE. N. SAINT PETERSBURG, FL 33710 TEL: (727) 344-6254 FAX: (727) 381-6116 http://WWW.MCLI.COM	SCALE:	N/A			
			SHEET:	N/A			
		UNLESS OTHERWISE SPECIFIED: TOLERANCES IN (INCHES) OR (mm) (MILLIMETERS) FRACTIONS: ± 1/64 DECIMALS: ±.01 ±.005 ANGLE: ±1/2°	DRAWING TITLE: COAXIAL ISOLATOR				
		PROPERTY NOTICE: THE INFORMATION IN THIS DRAWING IS PROPRIETARY AND SHALL NOT BE USED OR DISCLOSED WITHOUT WRITTEN PERMISSION FROM MICROWAVE COMMUNICATIONS LABORATORIES INC. (MCLI)	PART NO. IS-101				
DRAWN: Paiboon Luekhamhan	DATE: 03-17-2009	THIRD ANGLE PROJECTION	CAGE CODE:	OD2L5			
APPROVED: T. Nguyen	DATE: 03-17-2009		SIZE:	N/A	REV:	N/A	DWG NO.
			DO NOT SCALE THE DRAWING				