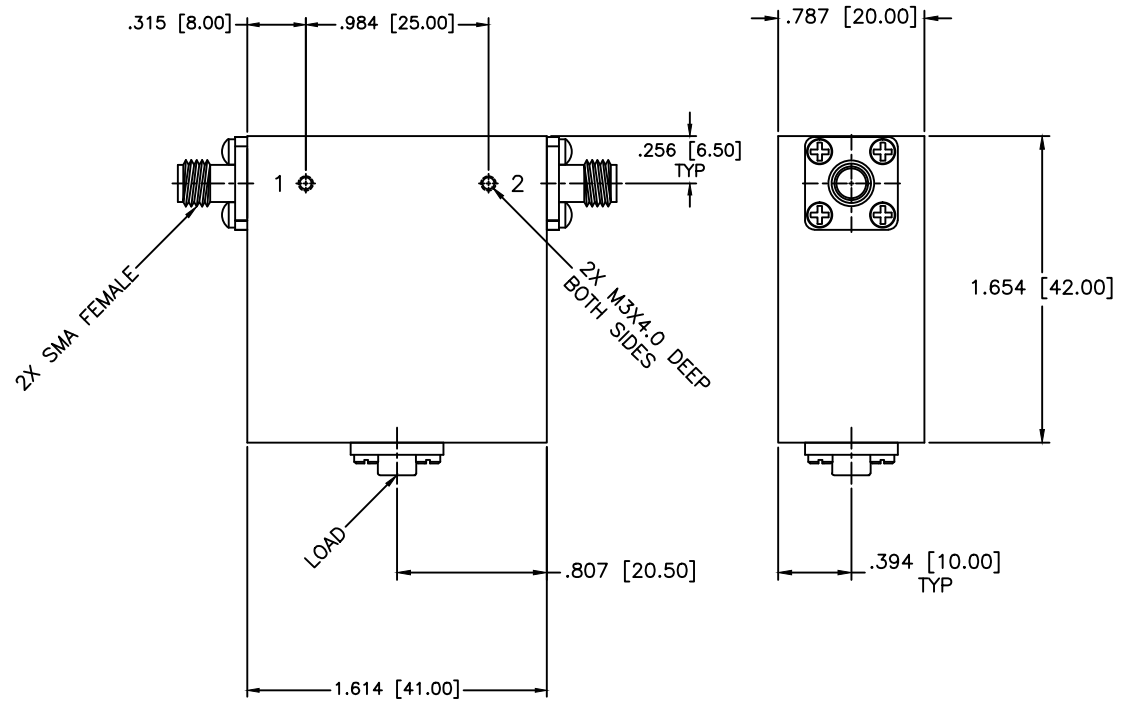


REVISIONS				
ZONE	REV	DESCRIPTION	Date	APPROVED



**SPECIFICATIONS**

Frequency Range: 2-4 GHz  
 Isolation: 18dB Min.  
 Insertion loss: 0.50dB Max.  
 VSWR: 1.35:1 Max.

MATERIAL:		<b>MCLI</b> MICROWAVE COMMUNICATIONS LABORATORIES INC. 7255 30TH AVE. N. SAINT PETERSBURG, FL 33710 TEL: (727) 344-6254 FAX: (727) 381-6116 <a href="http://WWW.MCLI.COM">http://WWW.MCLI.COM</a>	SCALE:	N/A
			SHEET:	N/A
		UNLESS OTHERWISE SPECIFIED: TOLERANCES IN (INCHES) OR [mm] (MILLIMETERS) FRACTIONS: ± 1/64 DECIMALS: ±.01 ±.005 ANGLE: ±1/2°	DRAWING TITLE: <b>COAXIAL ISOLATOR</b>	
DRAWN: Paiboon Luekhamhan		DATE: 07-15-2008	PART NO.: IS-10-1	
APPROVED: T. Nguyen		DATE: 07-15-2008	CAGE CODE: OD2L5	SIZE: A
		THIRD ANGLE PROJECTION	REV: N/A	DWG NO.: 84028
			DO NOT SCALE THE DRAWING	