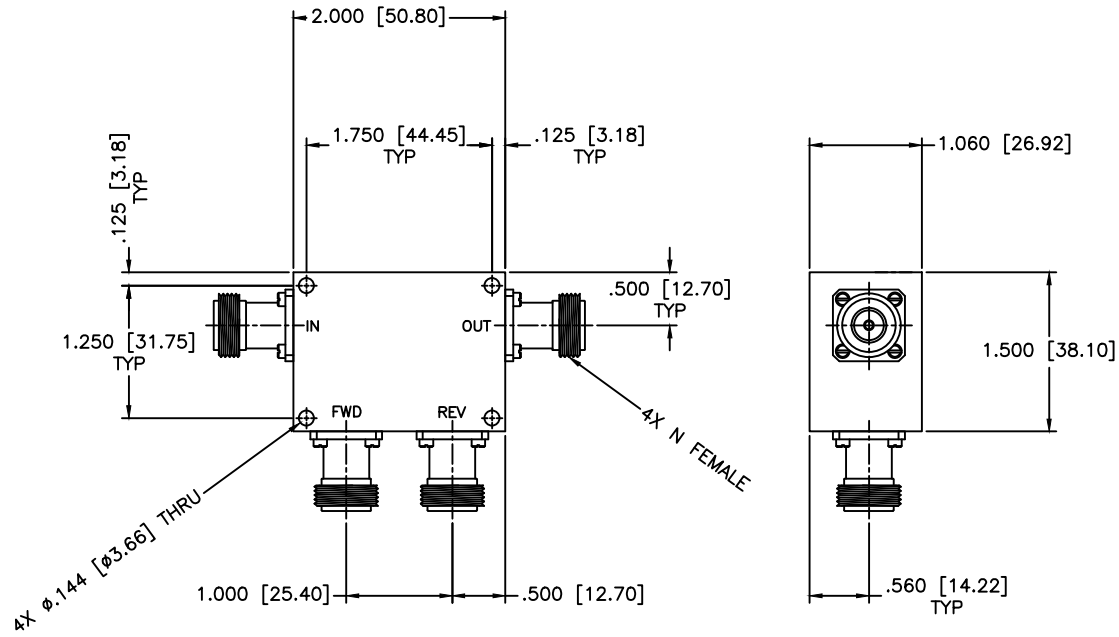


REVISIONS				
ZONE	REV	DESCRIPTION	DATE	APPROVED



**SPECIFICATIONS**

FREQUENCY RANGE: 20–550 MHz  
 FLATNESS:  $\pm 1.0$ dB Max.  
 COUPLING: 20dB  
 INSERTION LOSS: 0.70dB Max.  
 DIRECTIVITY: 20dB Min.  
 VSWR: 1.30:1 Max.  
 POWER: 100W CW

MATERIAL:		 <b>MCLI</b> MICROWAVE COMMUNICATIONS LABORATORIES INC. 7255 30TH AVE. N. SAINT PETERSBURG, FL 33710 TEL: (727) 344-6254 FAX: (727) 381-6116 http://www.MCLI.COM	SCALE:	N/A
			SHEET:	N/A
		UNLESS OTHERWISE SPECIFIED: TOLERANCES IN (INCHES) OR [mm] (MILLIMETERS) FRACTIONS: $\pm 1/64$ DECIMALS: $\pm .02 \pm .008$ ANGLE: $\pm 1/2^\circ$	DRAWING TITLE: <b>HIGH POWER BI-DIRECTIONAL COUPLER</b>	
		PROPERTY NOTICE: THE INFORMATION IN THIS DRAWING IS PROPRIETARY AND SHALL NOT BE USED OR DISCLOSED WITHOUT WRITTEN PERMISSION FROM MICROWAVE COMMUNICATIONS LABORATORIES INC. (MCLI)	PART NO.: <b>HXL-2-20/NF</b>	
DRAWN: Paiboon Luekhamhan	DATE: 12-20-2010	 THIRD ANGLE PROJECTION	CAGE CODE:	SIZE: N/A
APPROVED: T. Nguyen	DATE: 12-20-2010		OD2L5	REV: N/A
			DO NOT SCALE THE DRAWING	