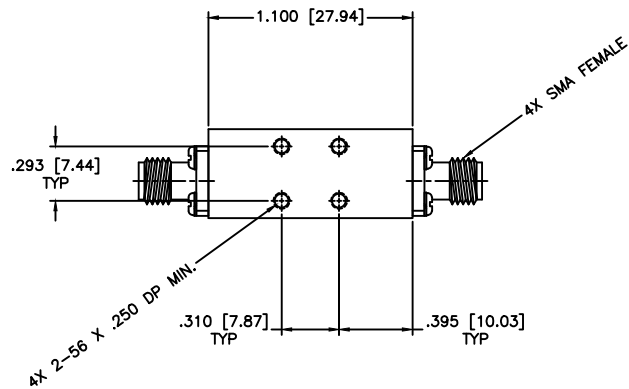
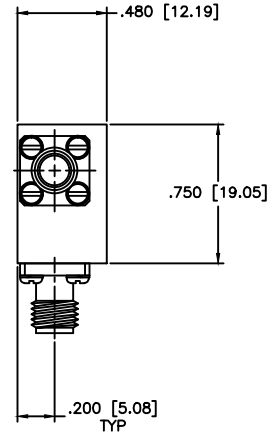
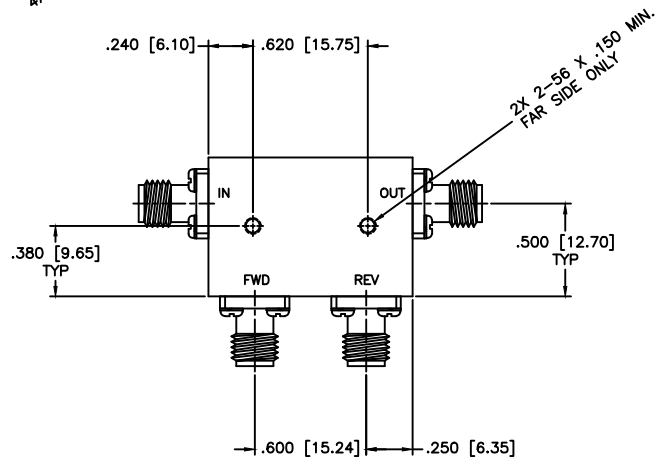


REVISIONS				
ZONE	REV	DESCRIPTION	DATE	APPROVED



SPECIFICATIONS

Frequency Range: 1800–6100 MHz
 Coupling: 20±1.0dB Max.
 Flatness: ±1.0dB Max.
 Directivity: 18dB Min.
 VSWR (ML): 1.25:1 Max.
 Power Rating: 60W CW
 Insertion Loss: 0.4dB Max.



MATERIAL:

DRAWN: Paiboon Luekhamhan
 DATE: 05-03-2013

APPROVED: T. Nguyen
 DATE: 05-03-2013

	MICROWAVE COMMUNICATIONS LABORATORIES INC. 7255 30TH AVE. N. SAINT PETERSBURG, FL 33710 TEL: (727) 344-6254 FAX: (727) 381-6116 http://WWW.MCLI.COM		SCALE: N/A
	UNLESS OTHERWISE SPECIFIED: TOLERANCES IN (INCHES) OR [mm] (MILLIMETERS) FRACTIONS: ± 1/64 DECIMALS: ±.01 ±.005 ANGLE: ±1/2°		SHEET: N/A
DRAWING TITLE: 4-PORT BI-DIRECTIONAL COUPLER		PART NO. HXL-17-20	
CAGE CODE: OD2L5		SIZE: A DO NOT SCALE THE DRAWING	REV: N/A DWG NO. 86275

