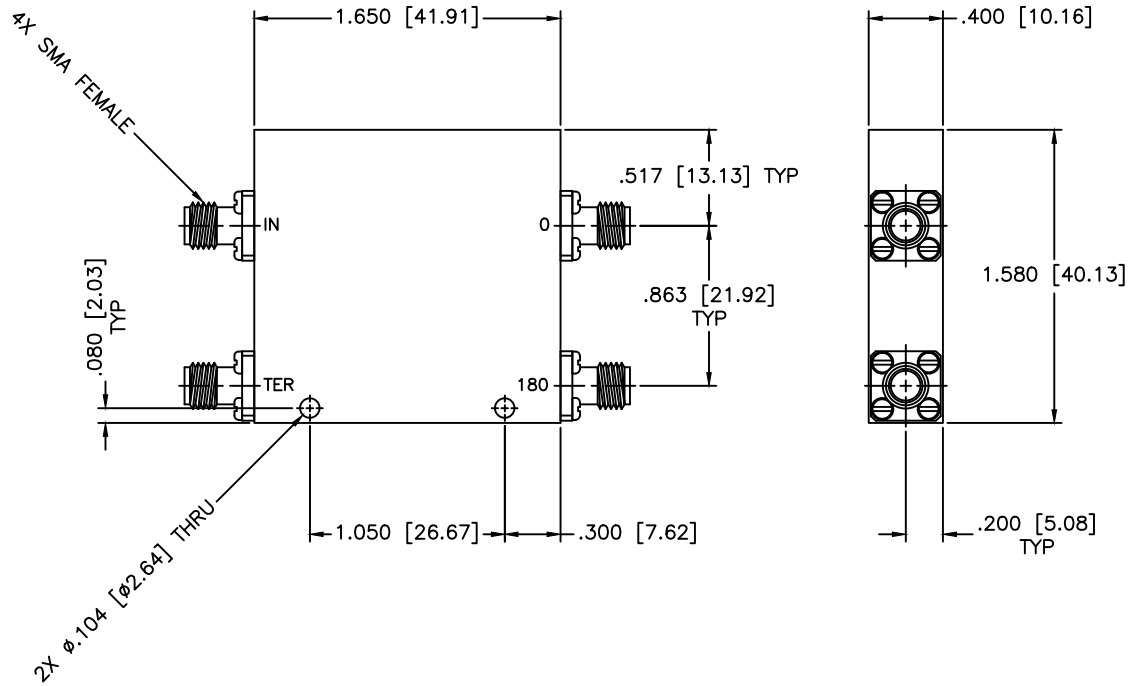


REVISIONS				
ZONE	REV	DESCRIPTION	DATE	APPROVED



SPECIFICATIONS

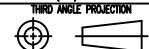
Frequency Range: 1.5–3.0 GHz
 Isolation: 18dB Min.
 VSWR: 1.35:1 Max.
 Insertion Loss: 1.0dB Max.
 Phase Balance: ±5 Deg. Max.

MATERIAL:			MICROWAVE COMMUNICATIONS LABORATORIES INC. 7255 30TH AVE. N. SAINT PETERSBURG, FL 33710 TEL: (727) 344-6254 FAX: (727) 381-6116 http://WWW.MCLI.COM		SCALE:	N/A
			UNLESS OTHERWISE SPECIFIED: TOLERANCES IN (INCHES) OR [mm] (MILLIMETERS) FRACTIONS: ± 1/64 DECIMALS: ±.01 ±.005 ANGLE: ±1/2°	DRAWING TITLE:		180° HYBRID
DRAWN:		DATE:	PART NO.		HJ-5	
Paiboon Luekhamhan		02-25-2013	CAGE CODE:		SIZE:	REV:
APPROVED:		DATE:	OD2L5		A	A
T. Nguyen		02-25-2013	DO NOT SCALE THE DRAWING		DWG NO.	
					80753	



UNLESS OTHERWISE SPECIFIED:
 TOLERANCES
 IN (INCHES) OR [mm] (MILLIMETERS)
 FRACTIONS: ± 1/64
 DECIMALS: ±.01 ±.005
 ANGLE: ±1/2°

PROPRIETARY NOTICE:
 THE INFORMATION IN THIS DRAWING IS PROPRIETARY
 AND SHALL NOT BE USED OR DISCLOSED WITHOUT WRITTEN
 PERMISSION FROM MICROWAVE COMMUNICATIONS
 LABORATORIES INC. (MCLI)



DRAWING TITLE:		180° HYBRID	
PART NO.		HJ-5	
CAGE CODE:	SIZE:	REV:	DWG NO.
OD2L5	A	A	80753
DO NOT SCALE THE DRAWING			