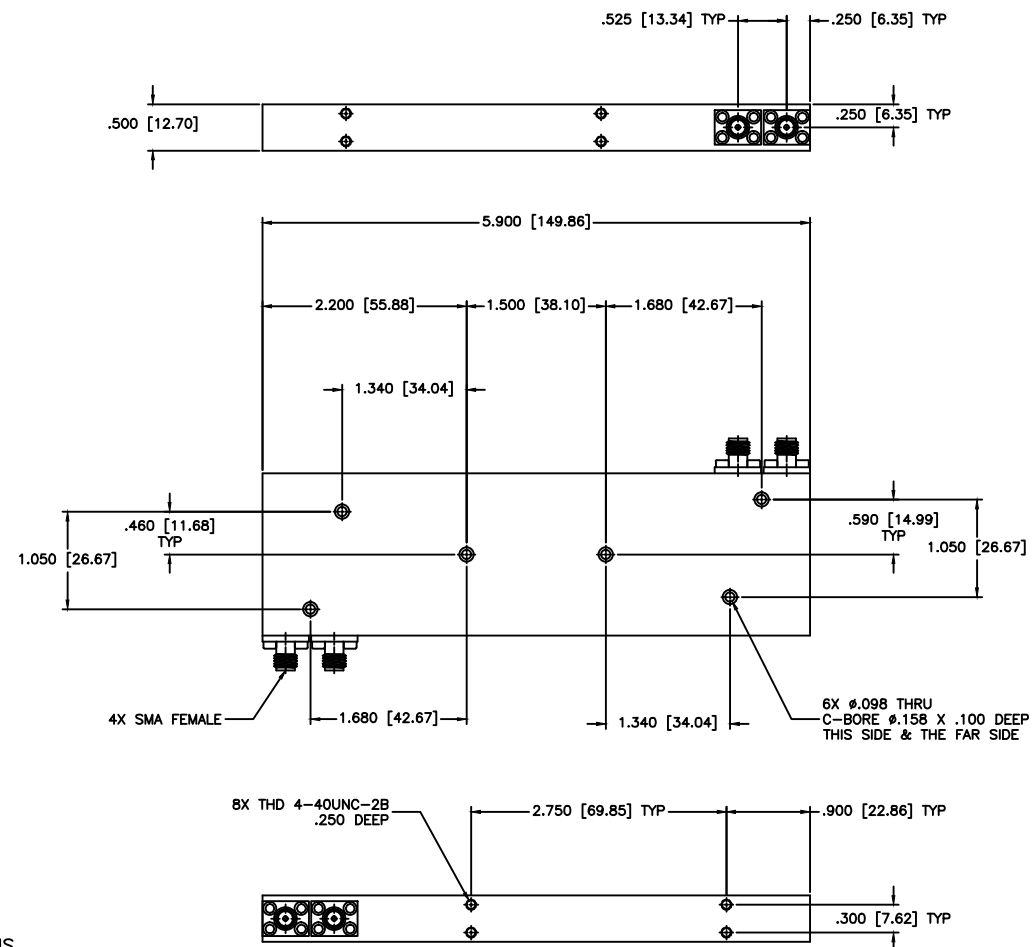


REVISIONS				
ZONE	REV	DESCRIPTION	DATE	APPROVED



SPECIFICATIONS

Frequency Range: 1-6 GHz
 Isolation: 17dB Min.
 VSWR: 1.60:1 Max.
 Insertion Loss: 1.6dB Max.
 Phase Balance: ±5 Deg. Max.
 Amplitude Balance: ±0.5 Max.

MATERIAL (Blank area)	MCLI MICROWAVE COMMUNICATIONS LABORATORIES INC. 7230 20TH AVE. N. SAINT PETERSBURG, FL 33710 TEL: (727) 344-8254 FAX: (727) 381-8116 WWW.MCLI.COM	SCALE: N/A SHEET: N/A
	UNLESS OTHERWISE SPECIFIED: TOLERANCES IN (INCHES) OR (mm) (MILLIMETERS) FRACTIONS: ± 1/64 DECIMALS: ±.01 ±.005 ANGLES: ±1/2°	DRAWING TITLE: 180° HYBRID COUPLER PART NO.: HJ-26
DRAWN: Palboon Luethamhan DATE: 05-18-2008	APPROVED: T. Nguyen DATE: 05-18-2008	CASE CODE: OD2L5 SIZE: C REV: N/A DRAW NO.: 82553

