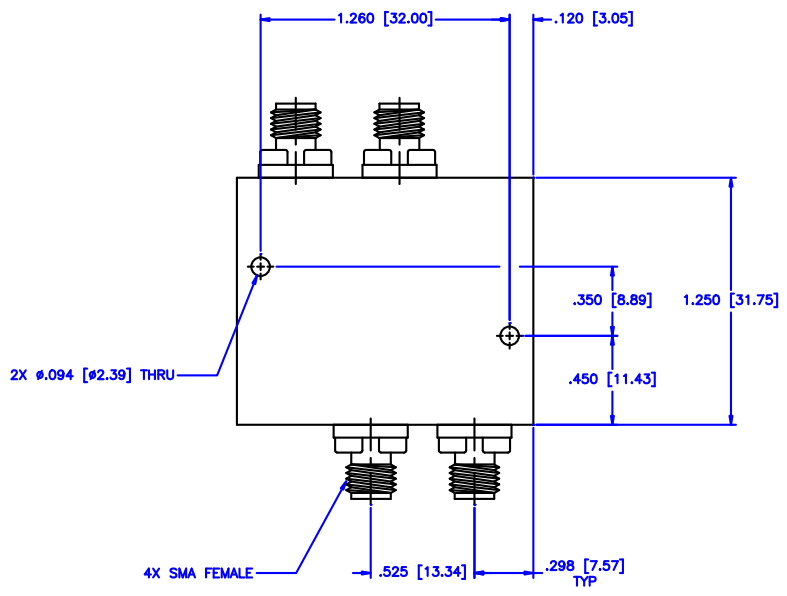
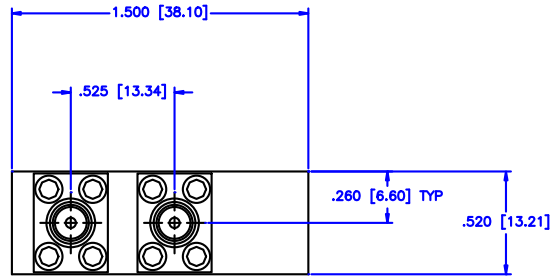


REVISIONS				
ZONE	REV	DESCRIPTION	DATE	APPROVED



**SPECIFICATIONS**

- Frequency Range: 6–20 GHz
- Isolation: 13dB Min.
- VSWR: 2.00:1 Max.
- Insertion Loss: 2.0dB Max.
- Phase Balance: ±12 Deg. Max.
- Amplitude Balance: ±0.7 Max.

MATERIAL:		<b>MICROWAVE COMMUNICATIONS LABORATORIES INC.</b> 7255 30TH AVE. N. SAINT PETERSBURG, FL 33710 TEL: (727) 344-6254 FAX: (727) 381-6116 http://WWW.MCLI.COM	SCALE:		N/A
			SHEET:		N/A
		UNLESS OTHERWISE SPECIFIED: TOLERANCES IN (INCHES) OR [mm] (MILLIMETERS) FRACTIONS: ± 1/64 DECIMALS: ±.01 ±.005 ANGLE: ±1/2°	DRAWING TITLE: <b>180° HYBRID</b>		
		PROPRIETARY NOTICE: THE INFORMATION IN THIS DRAWING IS PROPRIETARY AND SHALL NOT BE USED OR DISCLOSED WITHOUT WRITTEN PERMISSION FROM MICROWAVE COMMUNICATIONS LABORATORIES INC. (MCLI)	PART NO. <b>HJ-22</b>		
DRAWN: Paiboon Luekhamhan	DATE: 03-06-2002	THIRD ANGLE PROJECTION 	CAGE CODE:	SIZE: A	REV: N/A
APPROVED: T. Nguyen	DATE: 03-06-2002		OD2L5	DO NOT SCALE THE DRAWING	
					DWG NO. 82222