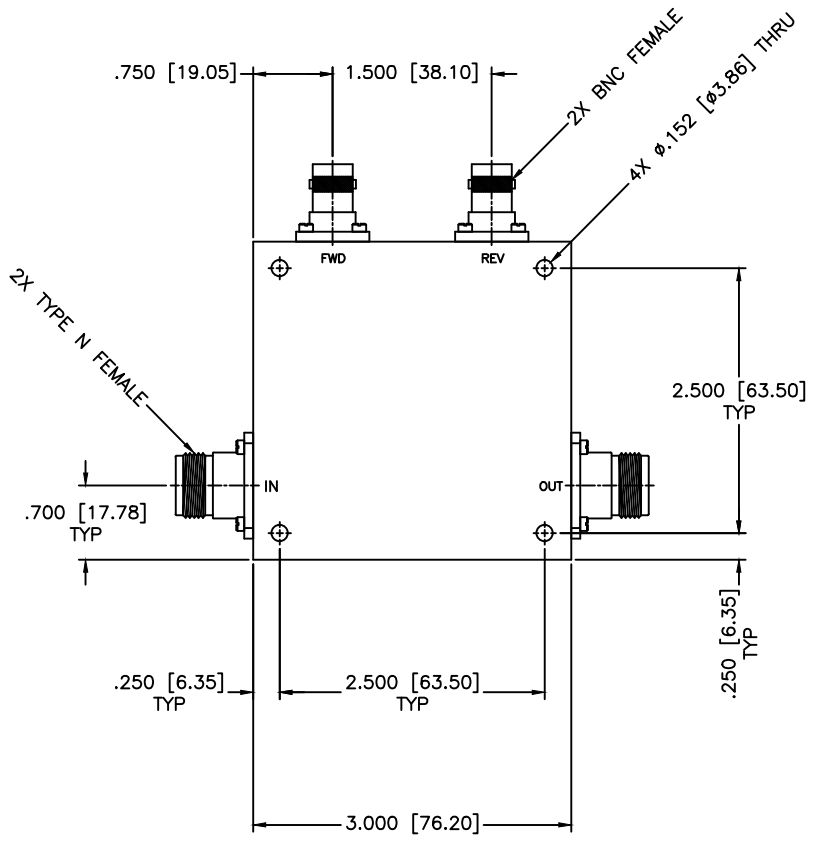
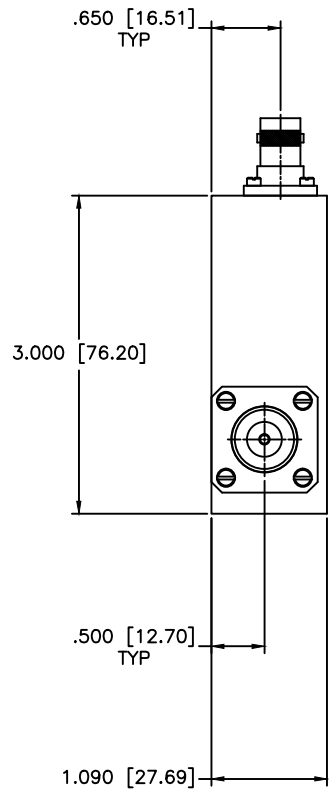


REVISIONS				
ZONE	REV	DESCRIPTION	DATE	APPROVED



**SPECIFICATIONS**

FREQUENCY RANGE: 800–1000 MHz  
 FREQUENCY SENSITIVITY: ±0.20dB  
 INSERTION LOSS: 0.40dB Max.  
 DIRECTIVITY: 25dB Min.  
 VSWR PRIME LINE: 1.15:1 Max.  
 POWER: 500W CW

MATERIAL:		 <b>MCLI</b> MICROWAVE COMMUNICATIONS LABORATORIES INC. 7255 30TH AVE. N. SAINT PETERSBURG, FL 33710 TEL: (727) 344-6254 FAX: (727) 381-6116 http://WWW.MCLI.COM	SCALE:	N/A
			SHEET:	N/A
		UNLESS OTHERWISE SPECIFIED: TOLERANCES IN (INCHES) OR [mm] (MILLIMETERS) FRACTIONS: ± 1/64 DECIMALS: ± .02 ± .008 ANGLE: ± 1/2°	DRAWING TITLE: <b>HIGH POWER DUAL DIRECTIONAL COUPLER</b>	
		PROPRIETARY NOTICE: THE INFORMATION IN THIS DRAWING IS PROPRIETARY AND SHALL NOT BE USED OR DISCLOSED WITHOUT WRITTEN PERMISSION FROM MICROWAVE COMMUNICATIONS LABORATORIES INC. (MCLI)	PART NO.: <b>HDL-9-30/B</b>	
DRAWN: Paiboon Luekhamhan	DATE: 08-06-2014	 THIRD ANGLE PROJECTION	CAGE CODE:	OD2L5
APPROVED: T. Nguyen	DATE: 08-06-2014		SIZE:	N/A
			REV:	N/A
			DWG NO.:	86527
			DO NOT SCALE THE DRAWING	