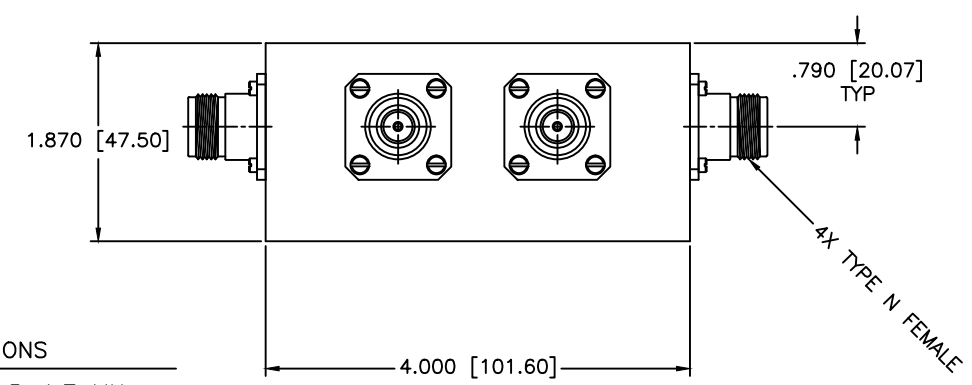
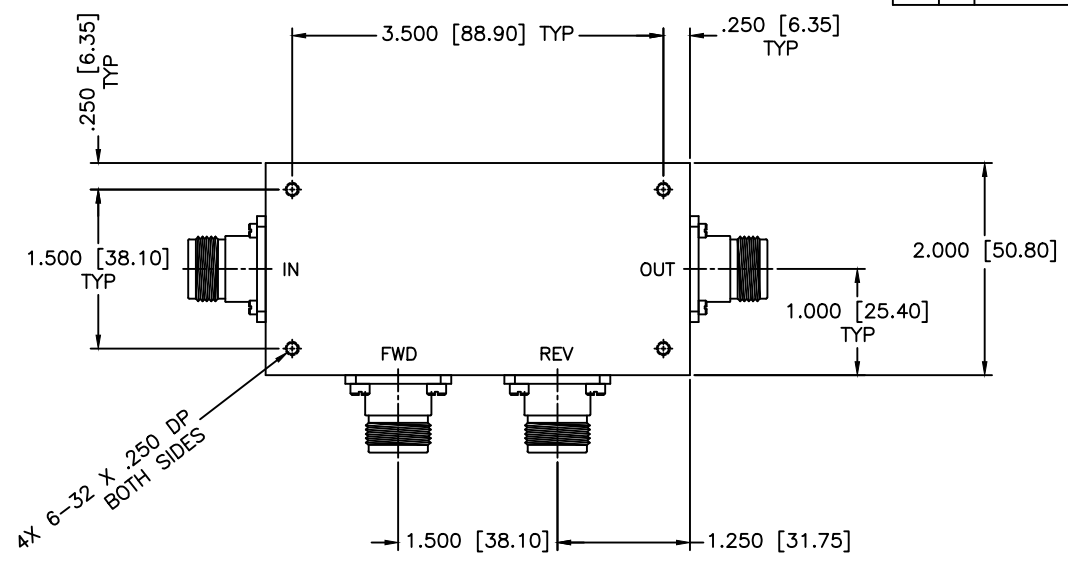


4 | 3 | 2 | 1

REVISIONS				
ZONE	REV	DESCRIPTION	DATE	APPROVED



**SPECIFICATIONS**

- FREQUENCY RANGE: 0.5–1.7 MHz
- COUPLING: 30dB
- FLATNESS: ±0.5dB
- INSERTION LOSS: 0.3dB Max.
- DIRECTIVITY: 25dB Min.
- VSWR PRIME LINE: 1.30:1 Max.
- POWER: 300W CW

MATERIAL:		<p>MICROWAVE COMMUNICATIONS LABORATORIES INC. 7255 30TH AVE. N. SAINT PETERSBURG, FL 33710 TEL: (727) 344-6254 FAX: (727) 381-6116 http://WWW.MCLI.COM</p>	SCALE:	N/A
			SHEET:	N/A
		<p>UNLESS OTHERWISE SPECIFIED: TOLERANCES IN (INCHES) OR [mm] (MILLIMETERS) FRACTIONS: ± 1/64 DECIMALS: ±.02 ±.008 ANGLE: ±1/2°</p>	DRAWING TITLE: <b>HIGH POWER DUAL DIRECTIONAL COUPLER</b>	
			PART NO.: <b>HDL-67-30</b>	
DRAWN: Paiboon Luekhamhan	DATE: 12-22-2010	<p>PROPRIETARY NOTICE: THE INFORMATION IN THIS DRAWING IS PROPRIETARY AND SHALL NOT BE USED OR DISCLOSED WITHOUT WRITTEN PERMISSION FROM MICROWAVE COMMUNICATIONS LABORATORIES INC. (MCLI)</p>	CAGE CODE:	SIZE: N/A
APPROVED: T. Nguyen	DATE: 12-22-2010		OD2L5	REV: N/A
DO NOT SCALE THE DRAWING				

4 | 3 | 2 | 1