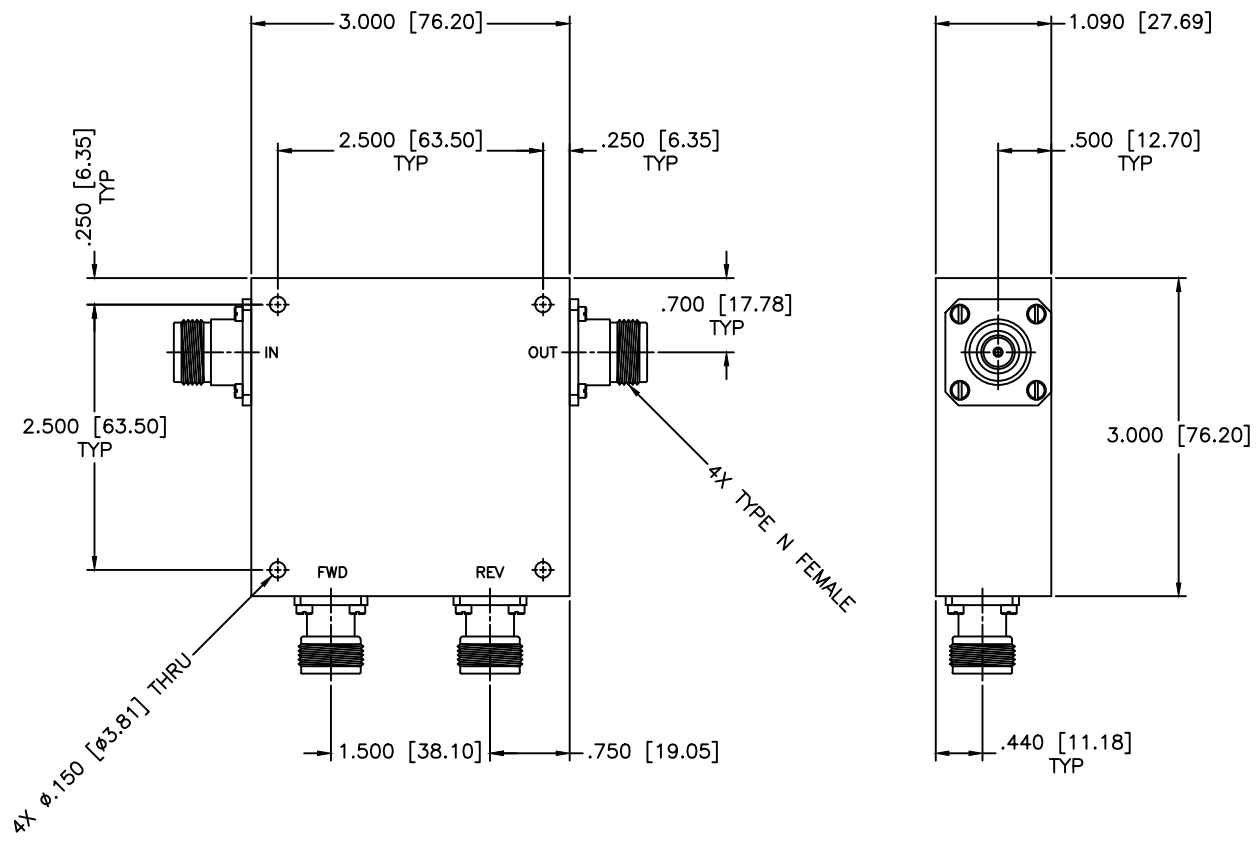


REVISIONS				
ZONE	REV	DESCRIPTION	DATE	APPROVED



SPECIFICATIONS

FREQUENCY RANGE: 500–3000 MHz
 COUPLING: 40±1.0dB Nom.
 FLATNESS: ±0.75dB
 INSERTION LOSS: 0.25dB Max.
 DIRECTIVITY: 15dB Min.
 VSWR PRIME LINE: 1.30:1 Max.
 POWER: 1,000W CW

MATERIAL:	
DRAWN: Paiboon Luekhamhan	DATE: 02-12-2014
APPROVED: T. Nguyen	DATE: 02-12-2014

MCLI MICROWAVE COMMUNICATIONS LABORATORIES INC.
 7255 30TH AVE. N. SAINT PETERSBURG, FL 33710
 TEL: (727) 344-6254 FAX: (727) 381-6116
 http://WWW.MCLI.COM

UNLESS OTHERWISE SPECIFIED:
 TOLERANCES
 IN (INCHES) OR [mm] (MILLIMETERS)
 FRACTIONS: ± 1/64
 DECIMALS: ± .02 ± .008
 ANGLE: ± 1/2°

PROPERTY NOTICE:
 THE INFORMATION IN THIS DRAWING IS PROPRIETARY
 AND SHALL NOT BE USED OR DISCLOSED WITHOUT WRITTEN
 PERMISSION FROM MICROWAVE COMMUNICATIONS
 LABORATORIES INC. (MCLI)

THIRD ANGLE PROJECTION

SCALE:	N/A
SHEET:	N/A
DRAWING TITLE: HIGH POWER DUAL DIRECTIONAL COUPLER	
PART NO. HDL-57-40	
CAGE CODE:	SIZE: N/A
OD2L5	REV: N/A
DO NOT SCALE THE DRAWING	
DWG NO.	86507