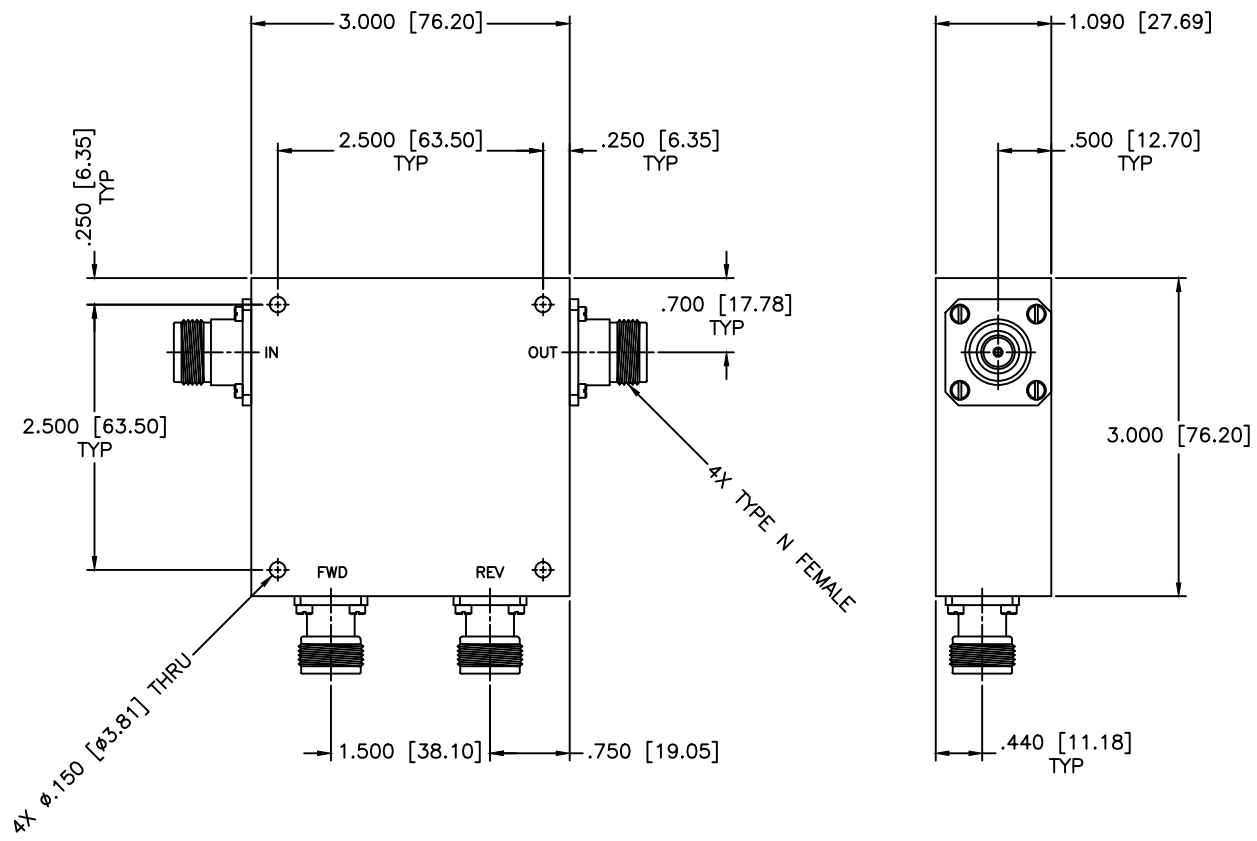


REVISIONS				
ZONE	REV	DESCRIPTION	DATE	APPROVED



4X ϕ .150 [ϕ 3.81] THRU

4X TYPE N FEMALE

SPECIFICATIONS

FREQUENCY RANGE: 500–1000 MHz
 COUPLING: 30±1.0dB Nom.
 FLATNESS: ±0.25dB
 INSERTION LOSS: 0.20dB Max.
 DIRECTIVITY: 20dB Min.
 VSWR PRIME LINE: 1.15:1 Max.
 POWER: 500W CW

MATERIAL:			MICROWAVE COMMUNICATIONS LABORATORIES INC. 7255 30TH AVE. N. SAINT PETERSBURG, FL 33710 TEL: (727) 344-6254 FAX: (727) 381-6116 http://www.mcli.com		SCALE: N/A
UNLESS OTHERWISE SPECIFIED: TOLERANCES IN (INCHES) OR [mm] (MILLIMETERS) FRACTIONS: ± 1/64 DECIMALS: ± .02 ± .008 ANGLE: ± 1/2°			DRAWING TITLE: HIGH POWER DUAL DIRECTIONAL COUPLER		SHEET: N/A
DRAWN: Paiboon Luekhamhan		DATE: 12-22-2010		PART NO. HDL-57-30	
APPROVED: T. Nguyen		DATE: 12-22-2010		CAGE CODE: OD2L5	
PROPRIETARY NOTICE: THE INFORMATION IN THIS DRAWING IS PROPRIETARY AND SHALL NOT BE USED OR DISCLOSED WITHOUT WRITTEN PERMISSION FROM MICROWAVE COMMUNICATIONS LABORATORIES INC. (MCLI)		SIZE: N/A REV: N/A DO NOT SCALE THE DRAWING		DWG NO. 85177	