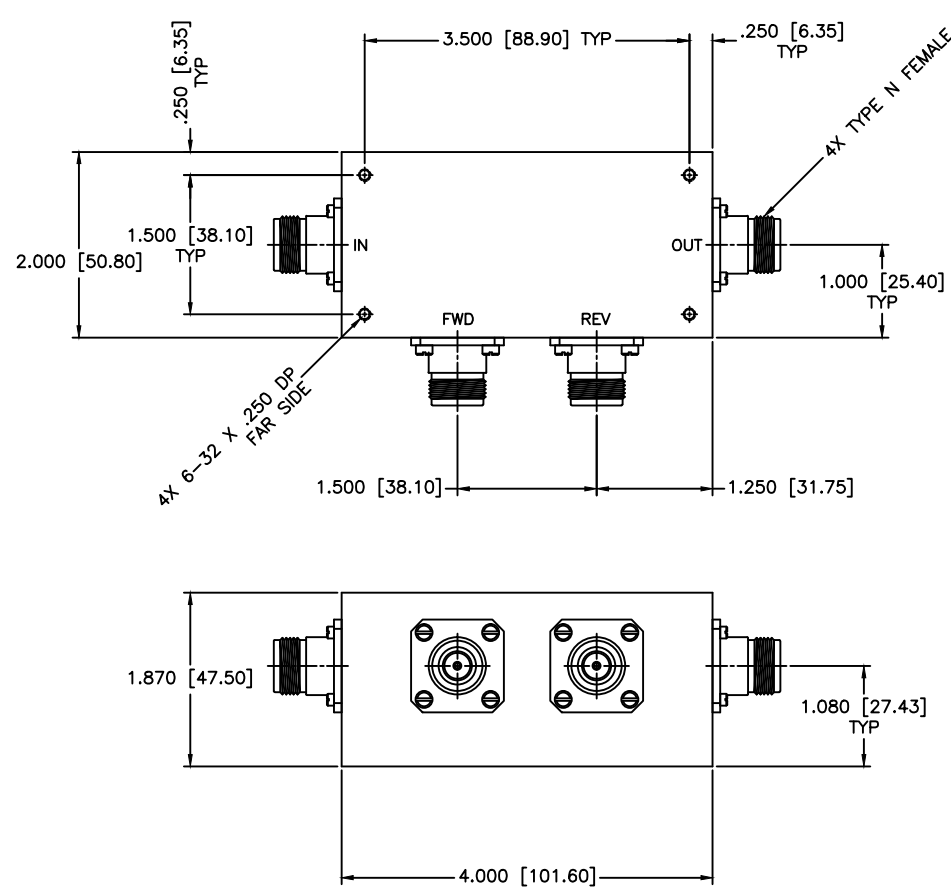


REVISIONS				
ZONE	REV	DESCRIPTION	DATE	APPROVED



**SPECIFICATIONS**

FREQUENCY RANGE: 2-50 MHz  
 COUPLING: 30dB  
 FLATNESS:  $\pm 0.2$ dB  
 INSERTION LOSS: 0.15dB Max.  
 DIRECTIVITY: 25dB Min.  
 VSWR PRIME LINE: 1.10:1 Max.  
 POWER: 100W CW

MATERIAL:	
DRAWN: Paiboon Luekhamhan	DATE: 12-22-2010
APPROVED: T. Nguyen	DATE: 12-22-2010

**MCLI**  
 UNLESS OTHERWISE SPECIFIED:  
 TOLERANCES  
 IN (INCHES) OR [mm] (MILLIMETERS)  
 FRACTIONS:  $\pm 1/64$   
 DECIMALS:  $\pm 0.01 \pm 0.005$   
 ANGLE:  $\pm 1/2^\circ$

PROPERTY NOTICE:  
 THE INFORMATION IN THIS DRAWING IS PROPRIETARY AND SHALL NOT BE USED OR DISCLOSED WITHOUT WRITTEN PERMISSION FROM MICROWAVE COMMUNICATIONS LABORATORIES INC. (MCLI)

THIRD ANGLE PROJECTION

SCALE: N/A	SHEET: N/A
DRAWING TITLE: <b>HIGH POWER DUAL DIRECTIONAL COUPLER</b>	
PART NO. <b>HDL-56-30</b>	
CAGE CODE: OD2L5	SIZE: C
REV: N/A	DWG NO. 85168
DO NOT SCALE THE DRAWING	