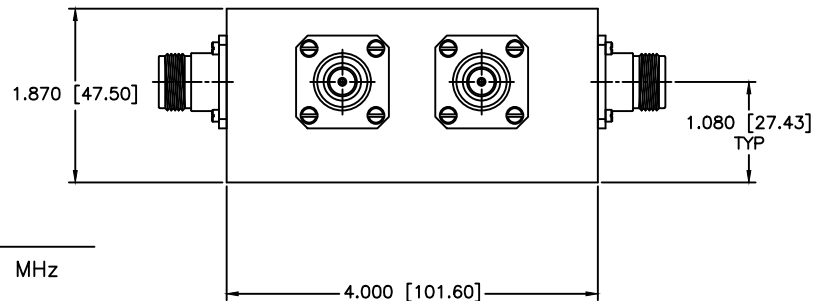
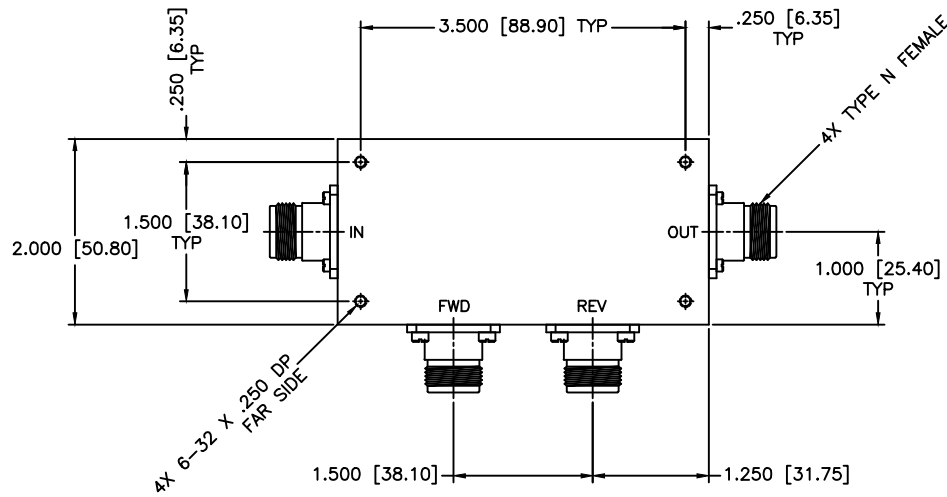


REVISIONS				
ZONE	REV	DESCRIPTION	DATE	APPROVED



SPECIFICATIONS

- Frequency Range: 100–200 MHz
- Coupling: 30dB
- Flatness: ± 0.5 dB
- Insertion Loss: 0.25dB Max.
- Directivity: 20dB Min.
- VSWR Prime Line: 1.10:1 Max.
- Power: 200 Watts CW
- Operating Temperature: -55°C to $+85^{\circ}\text{C}$
- None Operating Temperature: -65°C to $+85^{\circ}\text{C}$
- Humidity: 90%, None Condensing

MATERIAL:	
DRAWN: Paiboon Luekhamhan	DATE: 12-22-2010
APPROVED: T. Nguyen	DATE: 12-22-2010

MCLI MICROWAVE COMMUNICATIONS LABORATORIES INC.
7255 30TH AVE. N. SAINT PETERSBURG, FL 33710
TEL: (727) 344-6254 FAX: (727) 381-6116
http://WWW.MCLI.COM

UNLESS OTHERWISE SPECIFIED:
TOLERANCES
IN (INCHES) OR [mm] (MILLIMETERS)
FRACTIONS: $\pm 1/64$
DECIMALS: $\pm 0.01 \pm 0.005$
ANGLE: $\pm 1/2^{\circ}$

PROPRIETARY NOTICE:
THE INFORMATION IN THIS DRAWING IS PROPRIETARY
AND SHALL NOT BE USED OR DISCLOSED WITHOUT WRITTEN
PERMISSION FROM MICROWAVE COMMUNICATIONS
LABORATORIES INC. (MCLI)

THIRD ANGLE PROJECTION

SCALE:	N/A
SHEET:	N/A
DRAWING TITLE: HIGH POWER DUAL DIRECTIONAL COUPLER	
PART NO. HDL-55-30	
CAGE CODE: OD2L5	SIZE: C
REV: N/A	DWG NO. 85172
DO NOT SCALE THE DRAWING	