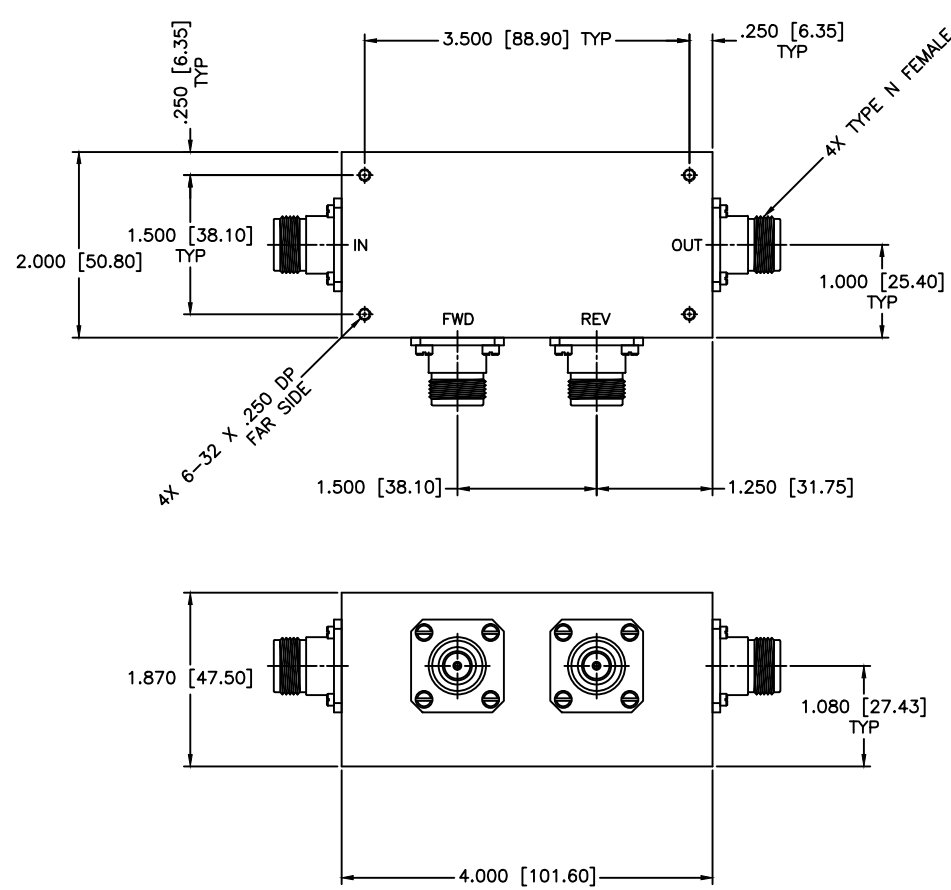


REVISIONS				
ZONE	REV	DESCRIPTION	DATE	APPROVED



SPECIFICATIONS

FREQUENCY RANGE: 30-90 MHz
 COUPLING: 30dB
 FLATNESS: ±0.5dB
 INSERTION LOSS: 0.25dB Max.
 DIRECTIVITY: 20dB Min.
 VSWR PRIME LINE: 1.10:1 Max.
 POWER: 100W CW

MATERIAL:			MICROWAVE COMMUNICATIONS LABORATORIES INC. 7255 30TH AVE. N. SAINT PETERSBURG, FL 33710 TEL: (727) 344-6254 FAX: (727) 381-6116 http://WWW.MCLI.COM		SCALE: N/A
UNLESS OTHERWISE SPECIFIED: TOLERANCES IN (INCHES) OR [mm] (MILLIMETERS) FRACTIONS: ± 1/64 DECIMALS: ±.01 ±.005 ANGLE: ±1/2°			DRAWING TITLE: HIGH POWER DUAL DIRECTIONAL COUPLER		SHEET: N/A
DRAWN: Paiboon Luekhamhan		DATE: 12-22-2010		PART NO.: HDL-53-30	
APPROVED: T. Nguyen		DATE: 12-22-2010		CAGE CODE: OD2L5	SIZE: C REV: N/A DWG NO.: 85170
PROPRIETARY NOTICE: THE INFORMATION IN THIS DRAWING IS PROPRIETARY AND SHALL NOT BE USED OR DISCLOSED WITHOUT WRITTEN PERMISSION FROM MICROWAVE COMMUNICATIONS LABORATORIES INC. (MCLI)				DO NOT SCALE THE DRAWING	