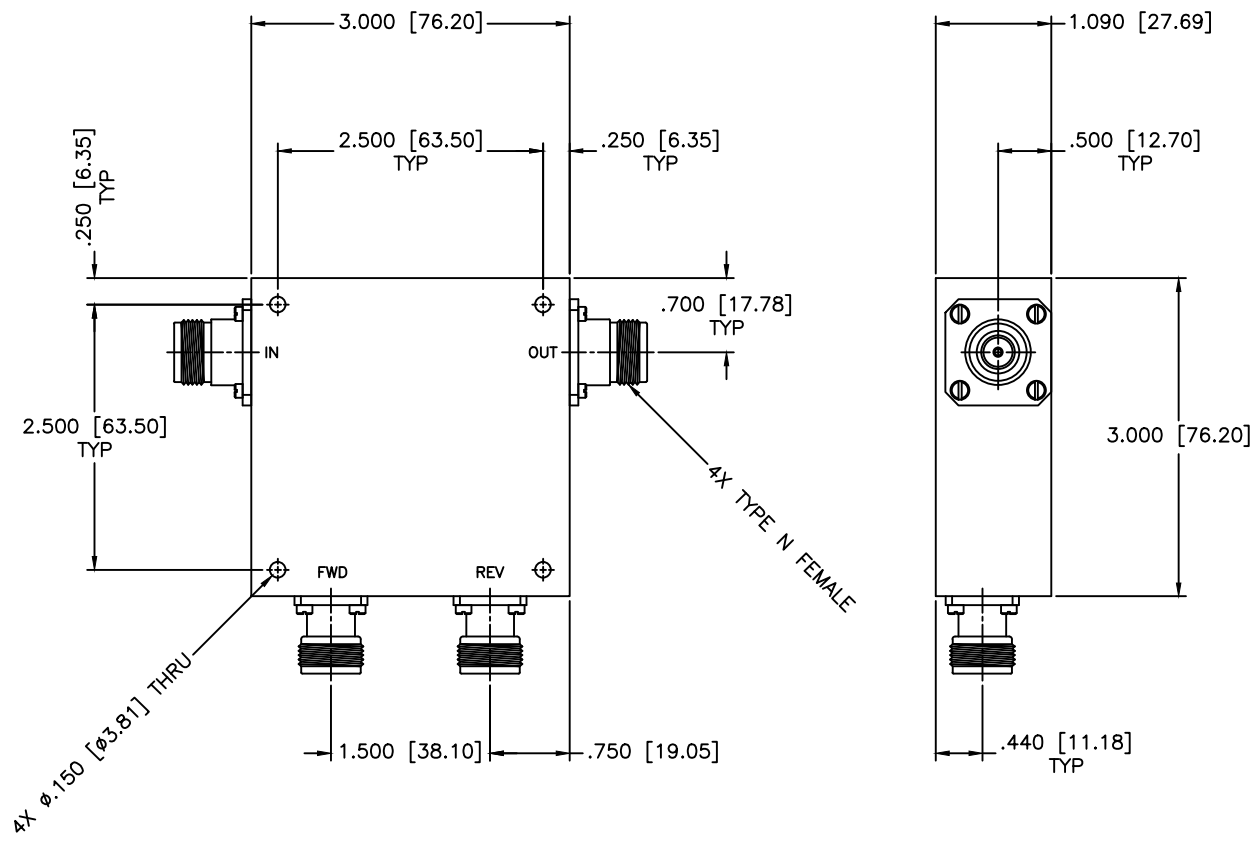


| REVISIONS | | | | |
|-----------|-----|-------------|------|----------|
| ZONE | REV | DESCRIPTION | DATE | APPROVED |
| | | | | |



SPECIFICATIONS

FREQUENCY RANGE: 2000-4000 MHz
 COUPLING: 30dB
 FLATNESS: ±0.5dB
 INSERTION LOSS: 0.30dB Max.
 DIRECTIVITY: 15dB Min.
 VSWR PRIME LINE: 1.35:1 Max.
 POWER: 300W CW

| | |
|------------------------------|---------------------|
| MATERIAL: | |
| DRAWN: Paiboon Luekhamhan | DATE: 12-22-2010 |
| APPROVED: T. Nguyen | DATE: 12-22-2010 |

MCLI MICROWAVE COMMUNICATIONS LABORATORIES INC.
 7255 30TH AVE. N. SAINT PETERSBURG, FL 33710
 TEL: (727) 344-6254 FAX: (727) 381-6116
 http://WWW.MCLI.COM

UNLESS OTHERWISE SPECIFIED:
 TOLERANCES
 IN (INCHES) OR [mm] (MILLIMETERS)
 FRACTIONS: ± 1/64
 DECIMALS: ± .02 ± .008
 ANGLE: ± 1/2°

PROPRIETARY NOTICE:
 THE INFORMATION IN THIS DRAWING IS PROPRIETARY
 AND SHALL NOT BE USED OR DISCLOSED WITHOUT WRITTEN
 PERMISSION FROM MICROWAVE COMMUNICATIONS
 LABORATORIES INC. (MCLI)

THIRD ANGLE PROJECTION

| | |
|--|---|
| SCALE: | N/A |
| SHEET: | N/A |
| DRAWING TITLE: HIGH POWER DUAL DIRECTIONAL COUPLER | |
| PART NO. HDL-51-30 | |
| CAGE CODE: OD2L5 | SIZE: N/A REV: N/A DWG NO. 85183 |
| DO NOT SCALE THE DRAWING | |