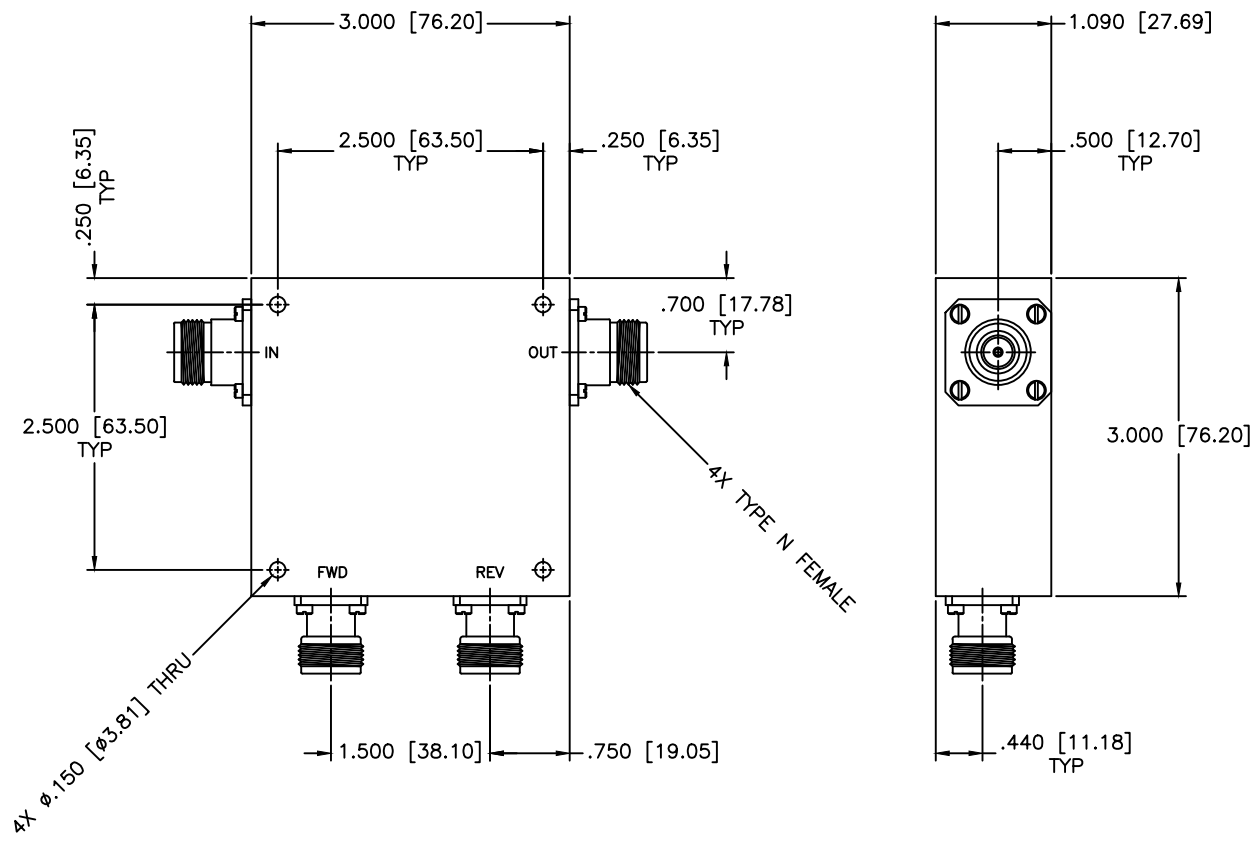


REVISIONS				
ZONE	REV	DESCRIPTION	DATE	APPROVED



SPECIFICATIONS

- FREQUENCY RANGE: 1000–2000 MHz
- COUPLING: 30dB
- FLATNESS: ± 0.25 dB
- INSERTION LOSS: 0.20dB Max.
- DIRECTIVITY: 20dB Min.
- VSWR PRIME LINE: 1.30:1 Max.
- POWER: 600W CW

MATERIAL:			MICROWAVE COMMUNICATIONS LABORATORIES INC. 7255 30TH AVE. N. SAINT PETERSBURG, FL 33710 TEL: (727) 344-6254 FAX: (727) 381-6116 http://WWW.MCLI.COM		SCALE: N/A
UNLESS OTHERWISE SPECIFIED: TOLERANCES IN (INCHES) OR [mm] (MILLIMETERS) FRACTIONS: $\pm 1/64$ DECIMALS: $\pm 0.02 \pm 0.08$ ANGLE: $\pm 1/2^\circ$			DRAWING TITLE: HIGH POWER DUAL DIRECTIONAL COUPLER		SHEET: N/A
DRAWN: Paiboon Luekhamhan		DATE: 12-22-2010		PART NO.: HDL-50-30	
APPROVED: T. Nguyen		DATE: 12-22-2010		CAGE CODE: OD2L5	SIZE: N/A
THIRD ANGLE PROJECTION		REV: N/A		DWG NO.: 85181	
DO NOT SCALE THE DRAWING					