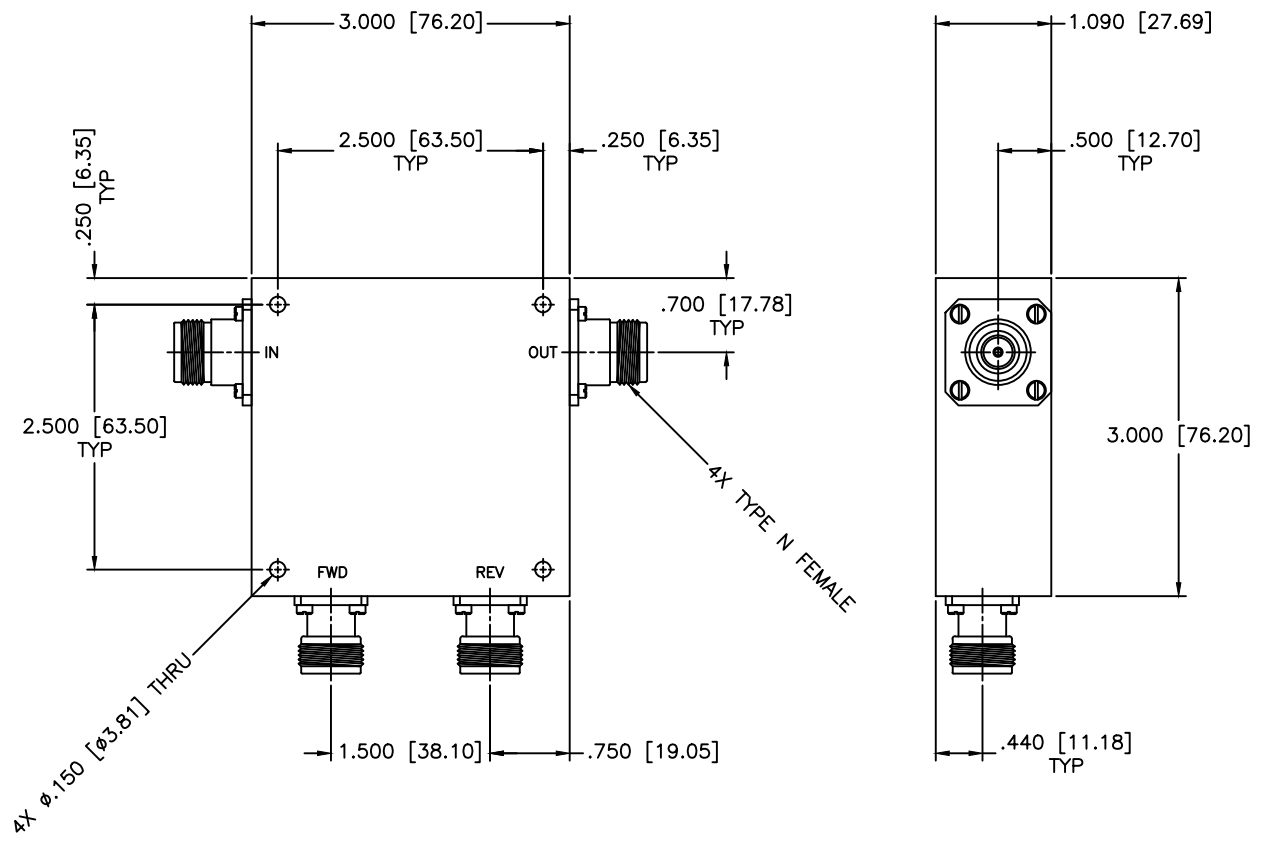


REVISIONS				
ZONE	REV	DESCRIPTION	DATE	APPROVED



SPECIFICATIONS

FREQUENCY RANGE: 800-2400 MHz
 COUPLING: 30dB
 FLATNESS: ±0.5dB
 INSERTION LOSS: 0.20dB Max.
 DIRECTIVITY: 20dB Min.
 VSWR PRIME LINE: 1.30:1 Max.
 POWER: 200W CW

MATERIAL:	
DRAWN: Paiboon Luekhamhan	DATE: 12-22-2010
APPROVED: T. Nguyen	DATE: 12-22-2010

MCLI
 UNLESS OTHERWISE SPECIFIED:
 TOLERANCES
 IN (INCHES) OR [mm] (MILLIMETERS)
 FRACTIONS: ± 1/64
 DECIMALS: ± .02 ± .008
 ANGLE: ± 1/2°

PROPERTY NOTICE:
 THE INFORMATION IN THIS DRAWING IS PROPRIETARY AND SHALL NOT BE USED OR DISCLOSED WITHOUT WRITTEN PERMISSION FROM MICROWAVE COMMUNICATIONS LABORATORIES INC. (MCLI)

THIRD ANGLE PROJECTION

MICROWAVE COMMUNICATIONS LABORATORIES INC. 7255 30TH AVE. N. SAINT PETERSBURG, FL 33710 TEL: (727) 344-6254 FAX: (727) 381-6116 http://WWW.MCLI.COM		SCALE: N/A
DRAWING TITLE: HIGH POWER DUAL DIRECTIONAL COUPLER		SHEET: N/A
PART NO. HDL-47-30		
CAGE CODE: OD2L5	SIZE: N/A	REV: N/A
DO NOT SCALE THE DRAWING		DWG NO. 85178