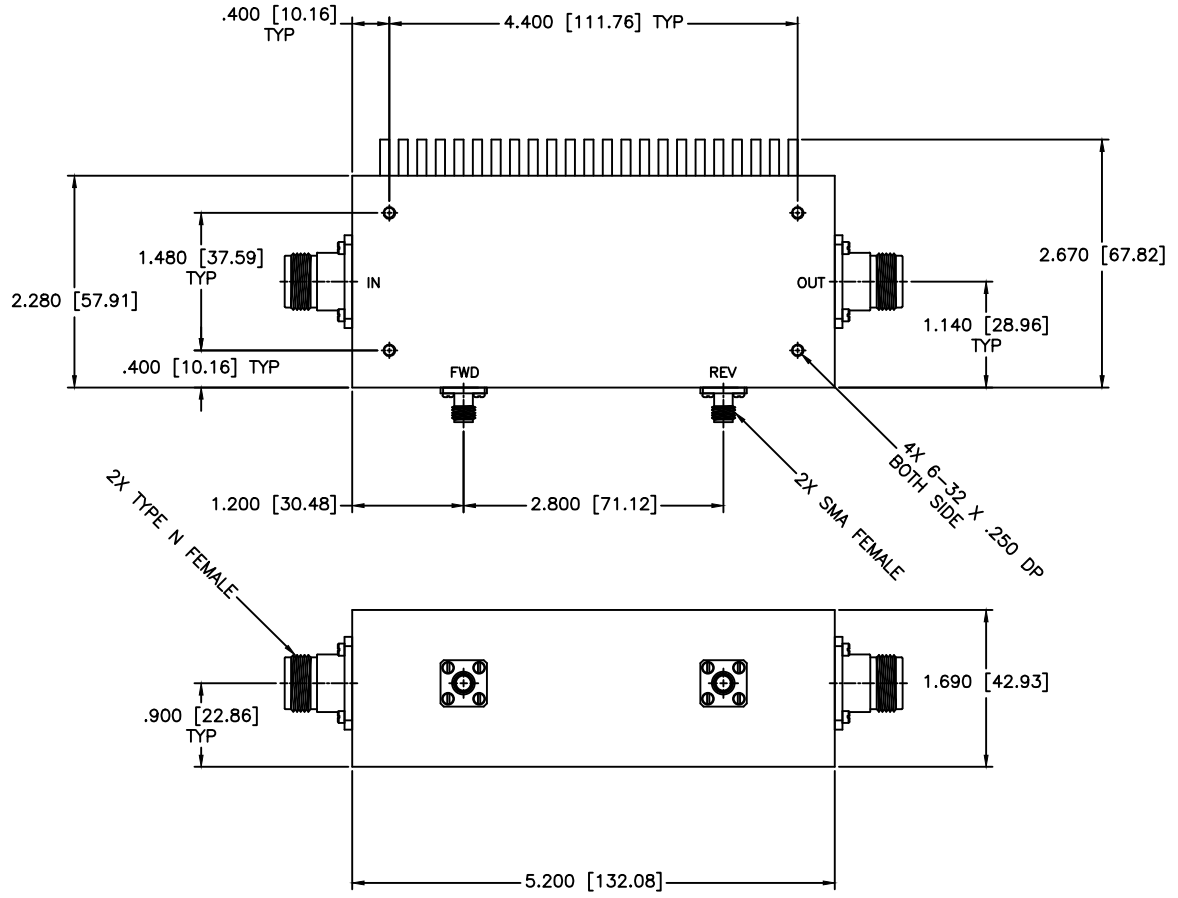


REVISIONS				
ZONE	REV	DESCRIPTION	DATE	APPROVED



SPECIFICATIONS

FREQUENCY RANGE: 0.01-400 MHz
 FLATNESS: ± 0.50 dB
 INSERTION LOSS: 0.5dB Max.
 DIRECTIVITY: 20dB Min.
 VSWR PRIME LINE: 1.25:1 Max.
 POWER: 200W CW

MATERIAL:			MICROWAVE COMMUNICATIONS LABORATORIES INC. 7255 30TH AVE. N. SAINT PETERSBURG, FL 33710 TEL: (727) 344-6254 FAX: (727) 381-6116 http://www.MCLI.COM		SCALE: N/A
UNLESS OTHERWISE SPECIFIED: TOLERANCES IN (INCHES) OR [mm] (MILLIMETERS) FRACTIONS: $\pm 1/64$ DECIMALS: $\pm 0.01 \pm 0.005$ ANGLE: $\pm 1/2^\circ$			DRAWING TITLE: HIGH POWER DUAL DIRECTIONAL COUPLER		SHEET: N/A
DRAWN: Praboon Luekhamhan		DATE: 09-24-2005		PART NO.: HDL-36-40	
APPROVED: T. Nguyen		DATE: 09-24-2005		CAGE CODE: OD2L5	SIZE: C
PROPRIETARY NOTICE: THE INFORMATION IN THIS DRAWING IS PROPRIETARY AND SHALL NOT BE USED OR DISCLOSED WITHOUT WRITTEN PERMISSION FROM MICROWAVE COMMUNICATIONS LABORATORIES INC. (MCLI)		REV: N/A DWG NO.: 82414		DO NOT SCALE THE DRAWING	