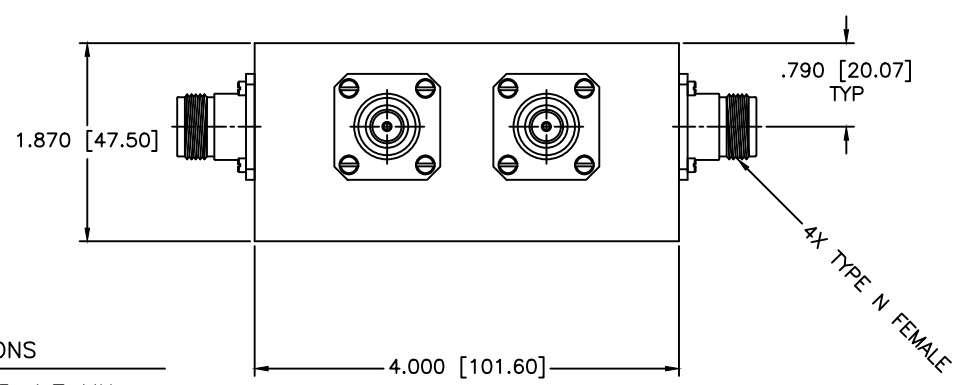
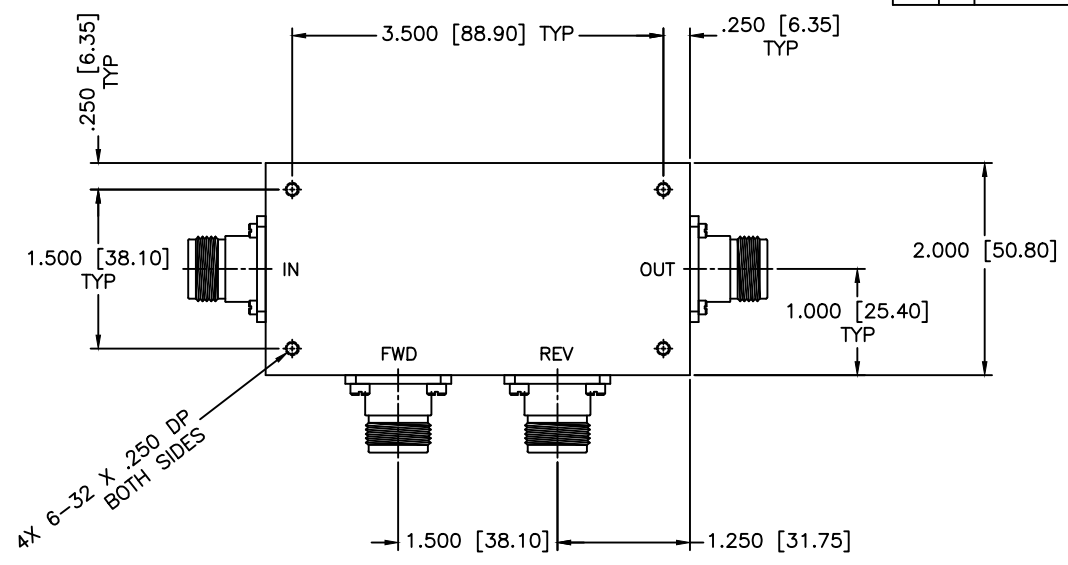


4 | 3 | 2 | 1

REVISIONS				
ZONE	REV	DESCRIPTION	DATE	APPROVED



SPECIFICATIONS

- FREQUENCY RANGE: 0.5–1.7 MHz
- COUPLING: 30dB
- FLATNESS: ±0.5dB
- INSERTION LOSS: 0.3dB Max.
- DIRECTIVITY: 25dB Min.
- VSWR PRIME LINE: 1.30:1 Max.
- POWER: 300W CW

MATERIAL:		MCLI MICROWAVE COMMUNICATIONS LABORATORIES INC. 7255 30TH AVE. N. SAINT PETERSBURG, FL 33710 TEL: (727) 344-6254 FAX: (727) 381-6116 http://www.mcli.com	SCALE: N/A
UNLESS OTHERWISE SPECIFIED: TOLERANCES IN (INCHES) OR [mm] (MILLIMETERS) FRACTIONS: ± 1/64 DECIMALS: ±.02 ±.008 ANGLE: ±1/2°			SHEET: N/A
DRAWING TITLE: HIGH POWER DUAL DIRECTIONAL COUPLER		PART NO.: HDL-30-30	
PROPRIETARY NOTICE: THE INFORMATION IN THIS DRAWING IS PROPRIETARY AND SHALL NOT BE USED OR DISCLOSED WITHOUT WRITTEN PERMISSION FROM MICROWAVE COMMUNICATIONS LABORATORIES INC. (MCLI)	DRAWN: Paiboon Luekhamhan DATE: 12-22-2010	CAGE CODE: OD2L5	SIZE: N/A REV: N/A DWG NO.: 85167
APPROVED: T. Nguyen	DATE: 12-22-2010	DO NOT SCALE THE DRAWING	

4 | 3 | 2 | 1