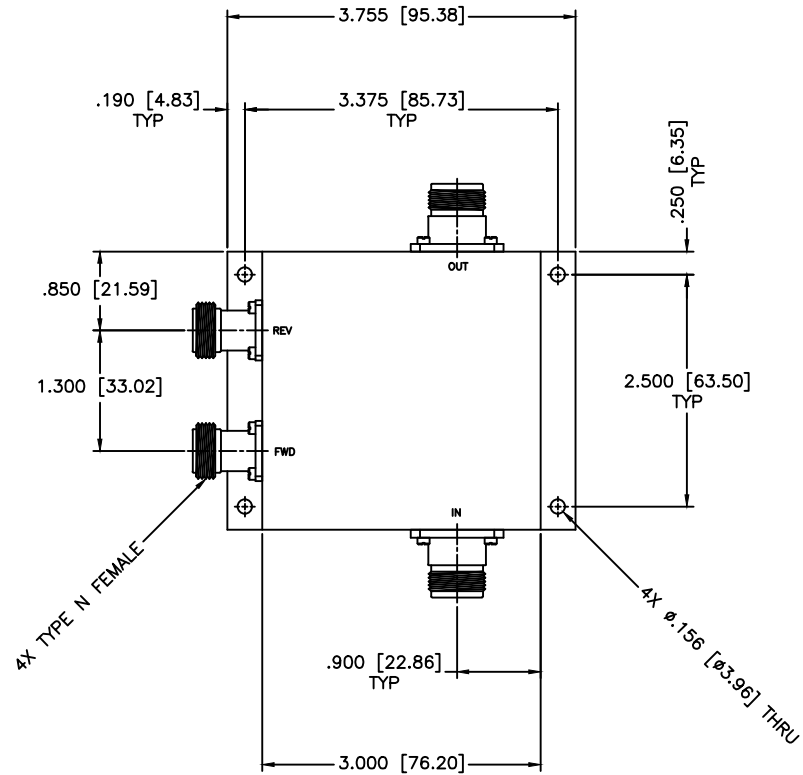
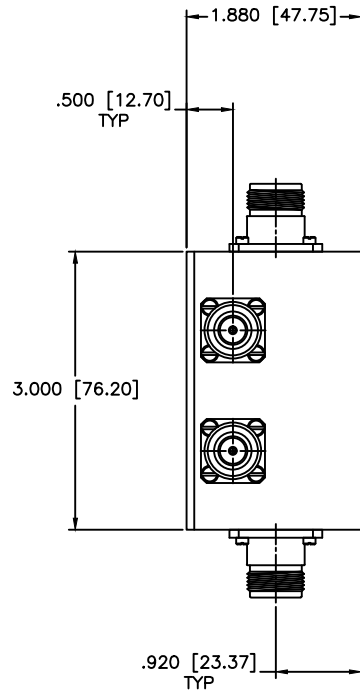


| REVISIONS |     |             |      |          |
|-----------|-----|-------------|------|----------|
| ZONE      | REV | DESCRIPTION | DATE | APPROVED |
|           |     |             |      |          |



**SPECIFICATIONS**

FREQUENCY RANGE: 20–500 MHz  
 FLATNESS:  $\pm 0.5$ dB  
 INSERTION LOSS: 0.15dB Max.  
 DIRECTIVITY: 20dB Min.  
 VSWR: 1.20:1 Max.  
 POWER: 1,500 Watts

|                              |                     |   |  |                          |      |     |          |
|------------------------------|---------------------|---|--|--------------------------|------|-----|----------|
| MATERIAL:                    |                     | <br><b>MCLI</b> MICROWAVE COMMUNICATIONS LABORATORIES INC.<br>7255 30TH AVE. N. SAINT PETERSBURG, FL 33710<br>TEL: (727) 344-6254 FAX: (727) 381-6116<br>http://WWW.MCLI.COM                | SCALE:   | N/A                      |      |     |          |
|                              |                     |   | SHEET:   | N/A                      |      |     |          |
|                              |                     | UNLESS OTHERWISE SPECIFIED:<br>TOLERANCES<br>IN (INCHES) OR [mm] (MILLIMETERS)<br>FRACTIONS: $\pm 1/64$<br>DECIMALS: $\pm .009$<br>ANGLE: $\pm 1/2^\circ$                                   | DRAWING TITLE:<br><b>HIGH POWER DUAL DIRECTIONAL COUPLER</b> |                          |      |     |          |
|                              |                     | PROPRIETARY NOTICE:<br>THE INFORMATION IN THIS DRAWING IS PROPRIETARY AND SHALL NOT BE USED OR REPRODUCED WITHOUT WRITTEN PERMISSION FROM MICROWAVE COMMUNICATIONS LABORATORIES INC. (MCLI) | PART NO.<br><b>HDL-25-60/1500</b>                            |                          |      |     |          |
| DRAWN:<br>Paiboon Luekhamhan | DATE:<br>12-08-2008 | <br>THIRD ANGLE PROJECTION  | CAGE CODE:   | OD2L5                    |      |     |          |
| APPROVED:<br>T. Nguyen       | DATE:<br>12-08-2008 |   | SIZE:  | C                        | REV: | N/A | DWG NO.: |
|                              |                     |   |  | DO NOT SCALE THE DRAWING |      |     |          |