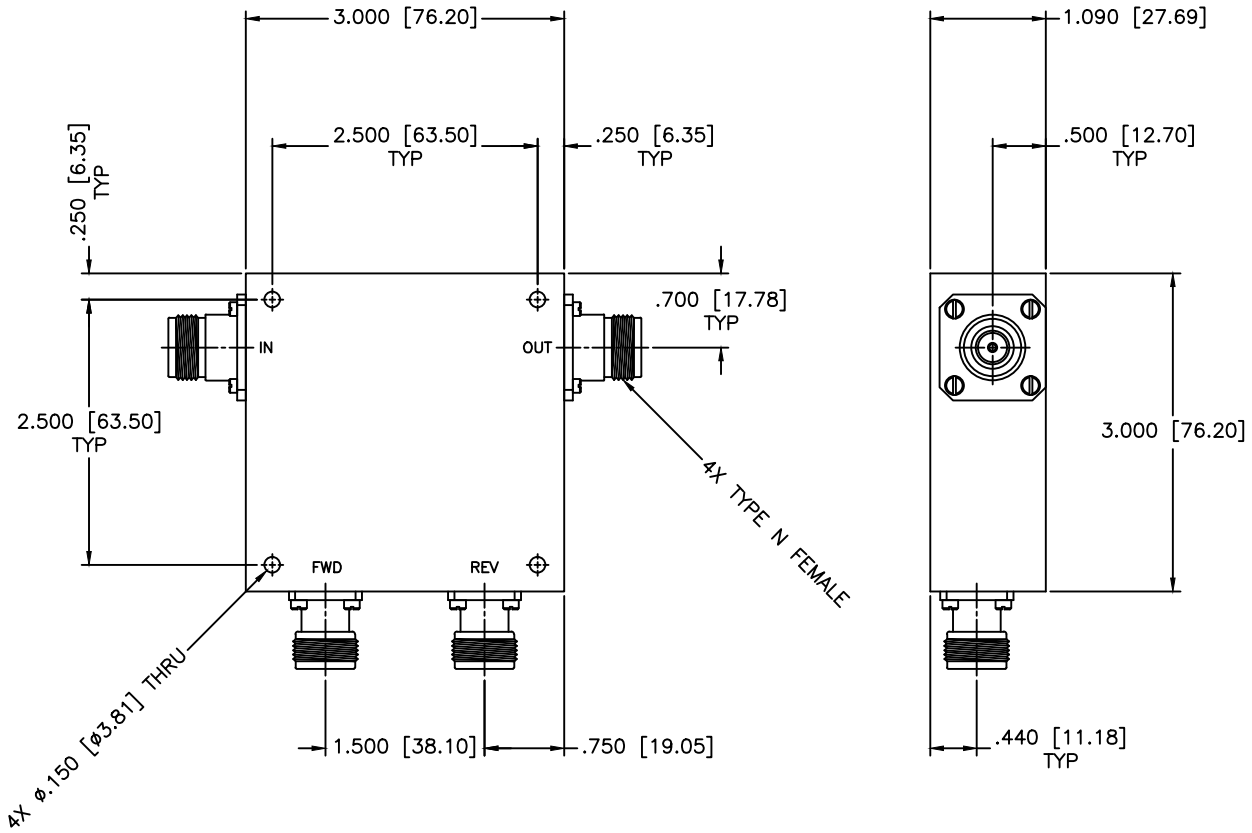


REVISIONS				
ZONE	REV	DESCRIPTION	DATE	APPROVED



SPECIFICATIONS

FREQUENCY RANGE: 100–1000 MHz
 COUPLING: 60dB
 FLATNESS: ± 0.6 dB
 INSERTION LOSS: 0.15dB Max.
 DIRECTIVITY: 20dB Min.
 VSWR PRIME LINE: 1.20:1 Max.
 POWER: 2,000W CW

MATERIAL:		MCLI MICROWAVE COMMUNICATIONS LABORATORIES INC. 7255 30TH AVE. N. SAINT PETERSBURG, FL 33710 TEL: (727) 344-6254 FAX: (727) 381-6116 http://WWW.MCLI.COM	SCALE:	N/A
			SHEET:	N/A
		UNLESS OTHERWISE SPECIFIED: TOLERANCES IN (INCHES) OR [mm] (MILLIMETERS) FRACTIONS: $\pm 1/64$ DECIMALS: $\pm .02 \pm .008$ ANGLE: $\pm 1/2^\circ$	DRAWING TITLE: HIGH POWER DUAL DIRECTIONAL COUPLER	
		PROPERTY NOTICE: THE INFORMATION IN THIS DRAWING IS PROPRIETARY AND SHALL NOT BE USED OR DISCLOSED WITHOUT WRITTEN PERMISSION FROM MICROWAVE COMMUNICATIONS LABORATORIES INC. (MCLI)	PART NO.: HDL-24-60	
DRAWN: Paiboon Luekhamhan	DATE: 01-06-2011	THIRD ANGLE PROJECTION	CAGE CODE:	SIZE: N/A
APPROVED: T. Nguyen	DATE: 01-06-2011		OD2L5	REV: N/A
			DO NOT SCALE THE DRAWING	