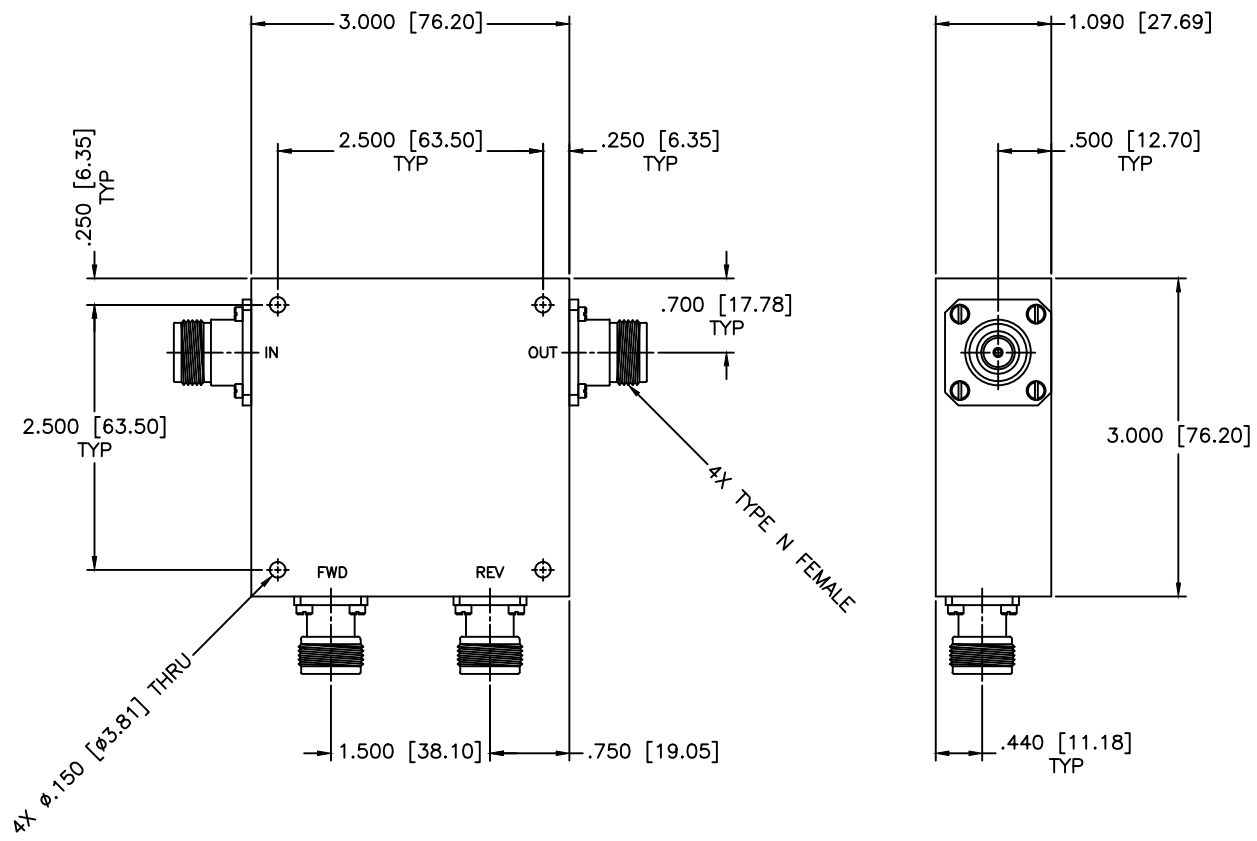


REVISIONS				
ZONE	REV	DESCRIPTION	DATE	APPROVED



**SPECIFICATIONS**

FREQUENCY RANGE: 1000–3000 MHz  
 COUPLING: 30dB  
 FLATNESS: ±0.5dB  
 INSERTION LOSS: 0.30dB Max.  
 DIRECTIVITY: 20dB Min.  
 VSWR PRIME LINE: 1.30:1 Max.  
 POWER: 100W CW

MATERIAL:			MICROWAVE COMMUNICATIONS LABORATORIES INC. 7255 30TH AVE. N. SAINT PETERSBURG, FL 33710 TEL: (727) 344-6254 FAX: (727) 381-6116 http://WWW.MCLI.COM		SCALE: N/A
UNLESS OTHERWISE SPECIFIED: TOLERANCES IN (INCHES) OR [mm] (MILLIMETERS) FRACTIONS: ± 1/64 DECIMALS: ± .02 ± .008 ANGLE: ± 1/2°			DRAWING TITLE: <b>HIGH POWER DUAL DIRECTIONAL COUPLER</b>		SHEET: N/A
DRAWN: Paiboon Luekhamhan		DATE: 12-22-2010		PART NO. HDL-20-30	
APPROVED: T. Nguyen		DATE: 12-22-2010		CAGE CODE: OD2L5	
PROPRIETARY NOTICE: THE INFORMATION IN THIS DRAWING IS PROPRIETARY AND SHALL NOT BE USED OR DISCLOSED WITHOUT WRITTEN PERMISSION FROM MICROWAVE COMMUNICATIONS LABORATORIES INC. (MCLI)		SIZE: N/A REV: N/A DO NOT SCALE THE DRAWING		DWG. NO. 85182	