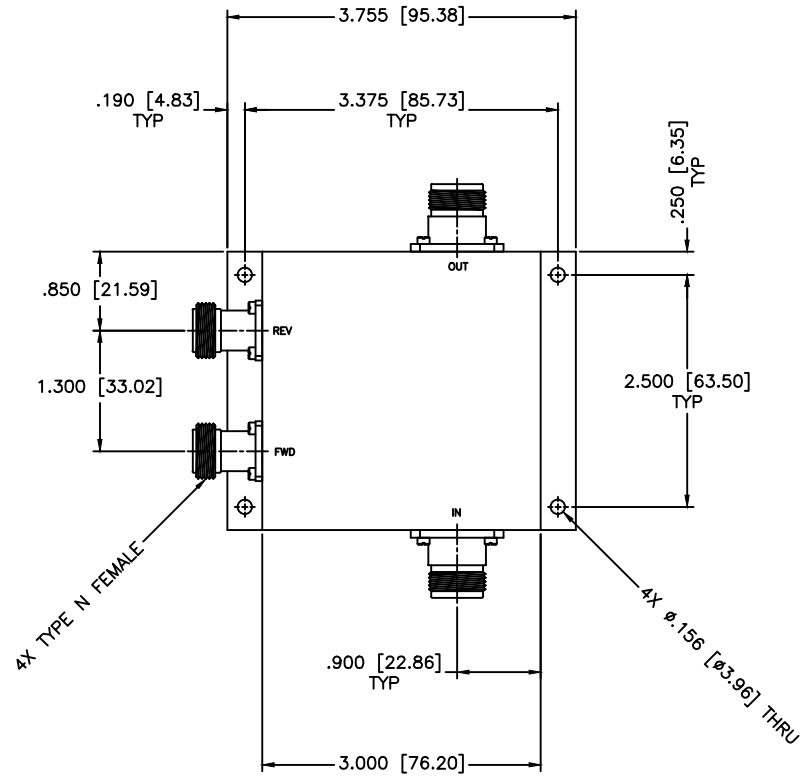
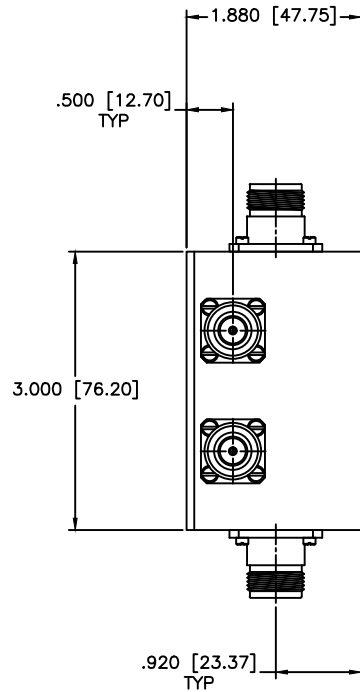


REVISIONS				
ZONE	REV	DESCRIPTION	DATE	APPROVED



**SPECIFICATIONS**

FREQUENCY RANGE: 20–150 MHz  
 FLATNESS:  $\pm 0.5\text{dB}$   
 INSERTION LOSS: 0.10dB Max.  
 DIRECTIVITY: 25dB Min.  
 VSWR: 1.05:1 Max.  
 POWER: 3,000 Watts

MATERIAL:		 <b>MCLI</b> MICROWAVE COMMUNICATIONS LABORATORIES INC. 7255 30TH AVE. N. SAINT PETERSBURG, FL 33710 TEL: (727) 344-6254 FAX: (727) 381-6116 http://WWW.MCLI.COM	SCALE:	N/A		
			SHEET:	N/A		
		UNLESS OTHERWISE SPECIFIED: TOLERANCES IN (INCHES) OR [mm] (MILLIMETERS) FRACTIONS: $\pm 1/64$ DECIMALS: $\pm .015$ ANGLE: $\pm 1/2^\circ$	DRAWING TITLE: <b>HIGH POWER DUAL DIRECTIONAL COUPLER</b>			
		PROPERTY NOTICE: THE INFORMATION IN THIS DRAWING IS PROPRIETARY AND SHALL NOT BE USED OR DISCLOSED WITHOUT WRITTEN PERMISSION FROM MICROWAVE COMMUNICATIONS LABORATORIES INC. (MCLI)	PART NO. <b>HDL-12-50</b>			
DRAWN: Paiboon Luekhamhan	DATE: 01-06-2011	 THIRD ANGLE PROJECTION	CAGE CODE:	OD2L5		
APPROVED: T. Nguyen	DATE: 01-06-2011		SIZE:	C	REV:	N/A
			DO NOT SCALE THE DRAWING			