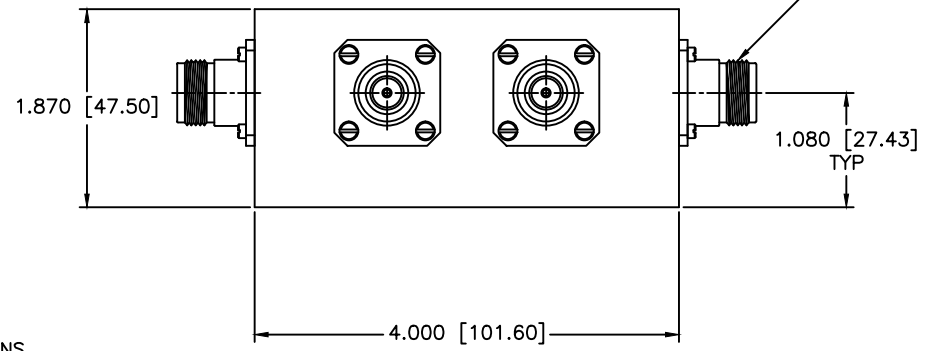
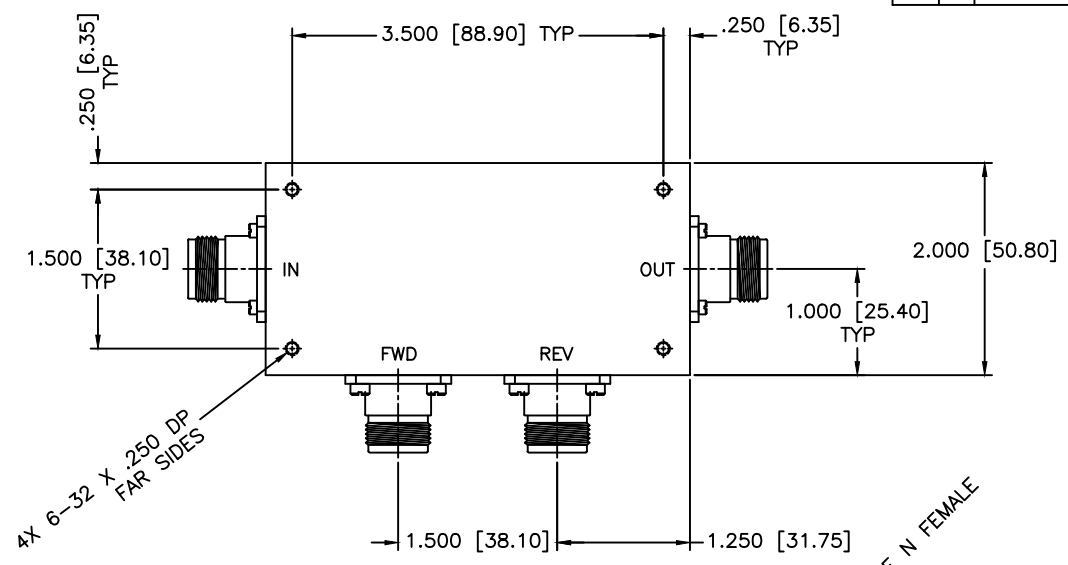


4 | 3 | 2 | 1

REVISIONS				
ZONE	REV	DESCRIPTION	DATE	APPROVED



SPECIFICATIONS

FREQUENCY RANGE: 1.5–80 MHz
 COUPLING: 60dB
 FLATNESS: ±0.50dB
 INSERTION LOSS: 0.15dB Max.
 DIRECTIVITY: 20dB Min.
 VSWR PRIME LINE: 1.10:1 Max.
 POWER: 500W CW

MATERIAL:	
DRAWN: Paiboon Luekhamhan	DATE: 01-06-2011
APPROVED: T. Nguyen	DATE: 01-06-2011

MCLI
 UNLESS OTHERWISE SPECIFIED:
 TOLERANCES
 IN (INCHES) OR [mm] (MILLIMETERS)
 FRACTIONS: ± 1/64
 DECIMALS: ±.02 ±.008
 ANGLE: ±1/2°

THIRD ANGLE PROJECTION

MICROWAVE COMMUNICATIONS LABORATORIES INC.
 7255 30TH AVE. N. SAINT PETERSBURG, FL 33710
 TEL: (727) 344-6254 FAX: (727) 381-6116
 http://www.MCLI.COM

SCALE:	N/A
SHEET:	N/A

DRAWING TITLE: HIGH POWER DUAL DIRECTIONAL COUPLER			
PART NO.: HDL-11-60			
CAGE CODE: OD2L5	SIZE: N/A	REV: N/A	DWG. NO.: 85199
DO NOT SCALE THE DRAWING			

D
C
B
A

D
C
B
A

4 | 3 | 2 | 1