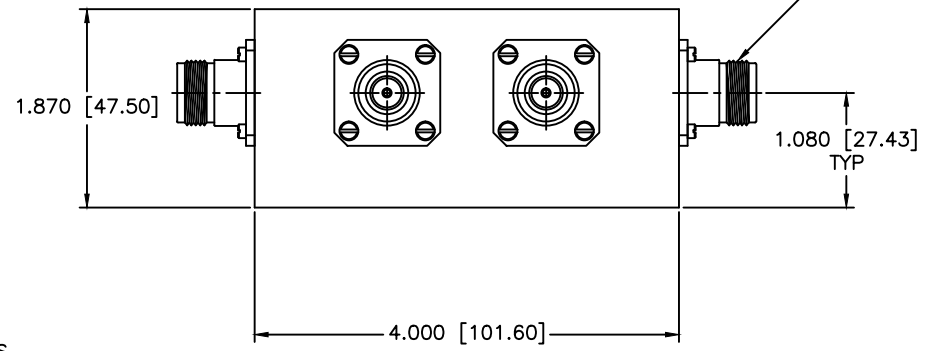
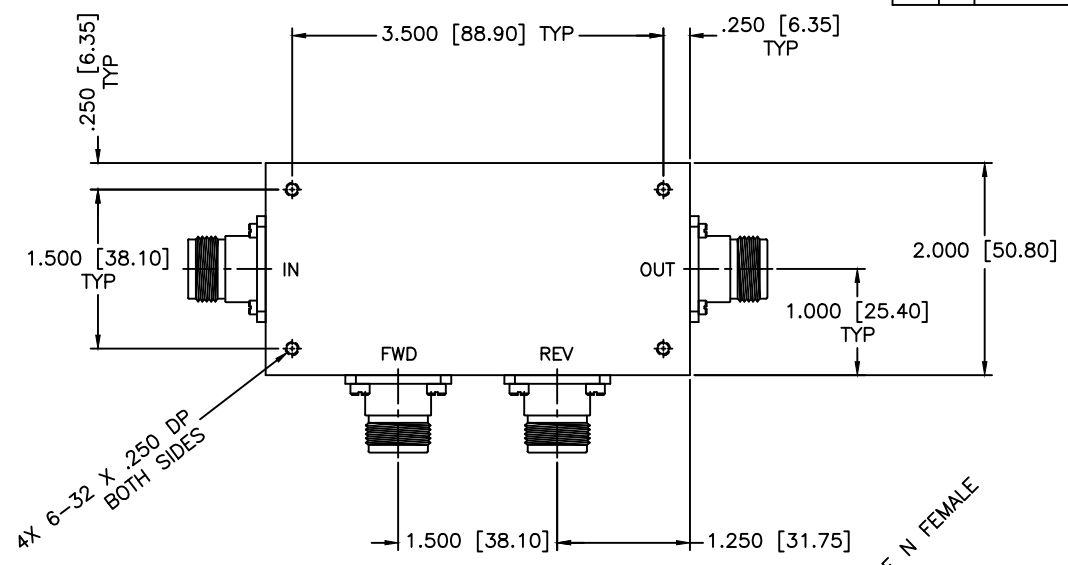


4 | 3 | 2 | 1

REVISIONS				
ZONE	REV	DESCRIPTION	DATE	APPROVED



SPECIFICATIONS

FREQUENCY RANGE: 1.5–80 MHz
 COUPLING: 30±1.0dB
 FLATNESS: ±0.20dB
 INSERTION LOSS: 0.15dB Max.
 DIRECTIVITY: 25dB Min.
 VSWR PRIME LINE: 1.10:1 Max.
 POWER: 750W

MATERIAL:	
DRAWN: Paiboon Luekhamhan	DATE: 03-27-1999
APPROVED: T. Nguyen	DATE: 03-27-1999

MCLI
 UNLESS OTHERWISE SPECIFIED:
 TOLERANCES
 IN (INCHES) OR [mm] (MILLIMETERS)
 FRACTIONS: ± 1/64
 DECIMALS: ±.02 ±.008
 ANGLE: ±1/2°

PROPERTY NOTICE:
 THE INFORMATION IN THIS DRAWING IS PROPRIETARY AND SHALL NOT BE USED OR DISCLOSED WITHOUT WRITTEN PERMISSION FROM MICROWAVE COMMUNICATIONS LABORATORIES INC. (MCLI)

THIRD ANGLE PROJECTION

MICROWAVE COMMUNICATIONS LABORATORIES INC.
 7255 30TH AVE. N. SAINT PETERSBURG, FL 33710
 TEL: (727) 344-6254 FAX: (727) 381-6116
 http://WWW.MCLI.COM

SCALE:	N/A
SHEET:	N/A

DRAWING TITLE: HIGH POWER DUAL DIRECTIONAL COUPLER			
PART NO.: HDL-10-30			
CAGE CODE: OD2L5	SIZE: N/A	REV: N/A	DWG. NO.: 81243
DO NOT SCALE THE DRAWING			

D
C
B
A

D
C
B
A

4 | 3 | 2 | 1