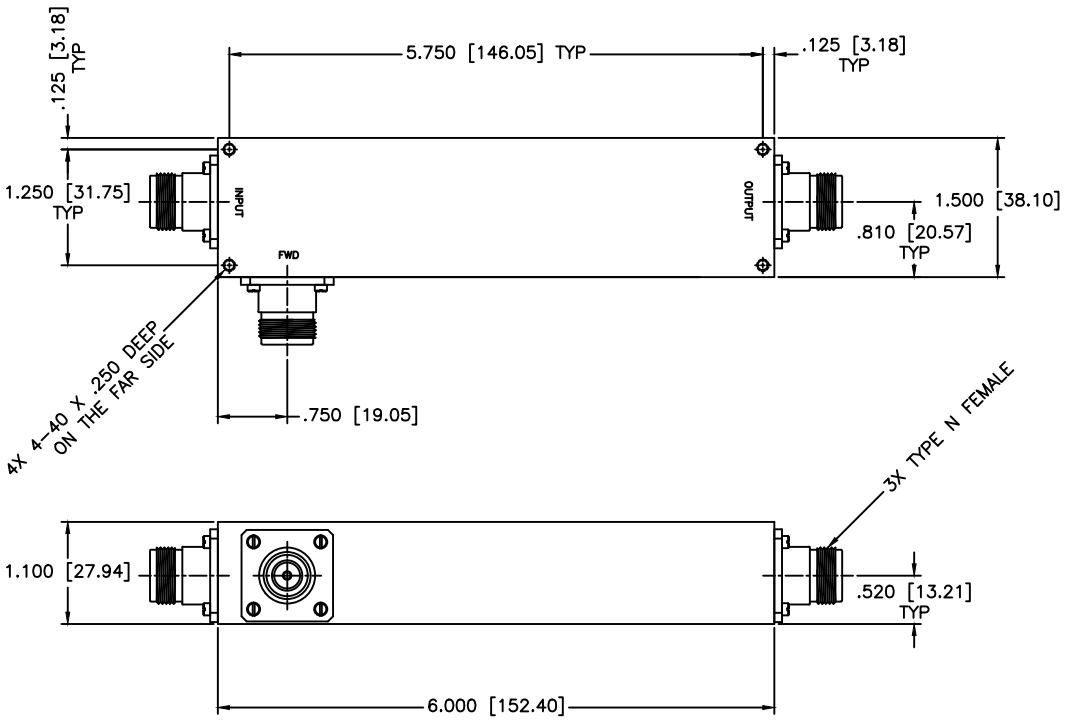


REVISIONS				
ZONE	REV	DESCRIPTION	DATE	APPROVED



**SPECIFICATIONS**

- FREQUENCY RANGE: 2-2000 MHz
- COUPLING: 20±1.0dB
- FLATNESS: ±1.0dB
- INSERTION LOSS: 1.75dB Max.
- DIRECTIVITY: 20dB Min.
- VSWR: 1.20:1 Max.
- POWER: 20W CW

MATERIAL:		<b>MCLI</b> MICROWAVE COMMUNICATIONS LABORATORIES INC. 7255 30TH AVE. N. SAINT PETERSBURG, FL 33710 TEL: (727) 344-6254 FAX: (727) 381-6116 http://WWW.MCLI.COM	SCALE:	N/A
			SHEET:	N/A
UNLESS OTHERWISE SPECIFIED: TOLERANCES IN (INCHES) OR (mm) (MILLIMETERS) FRACTIONS: ± 1/64 DECIMALS: ±.01 ±.005 ANGLE: ±1/2°		DRAWING TITLE: <b>HIGH POWER DIRECTIONAL COUPLER</b>		
DRAWN: Paiboon Luethamhan		PART NO. HCL-3-20		
DATE: 03-20-1999		CAGE CODE: OD2L5		
APPROVED: T. Nguyen		DATE: 03-20-1999		SIZE: C
THIRD ANGLE PROJECTION		REV: N/A		DWG NO. 85142
DO NOT SCALE THE DRAWING				