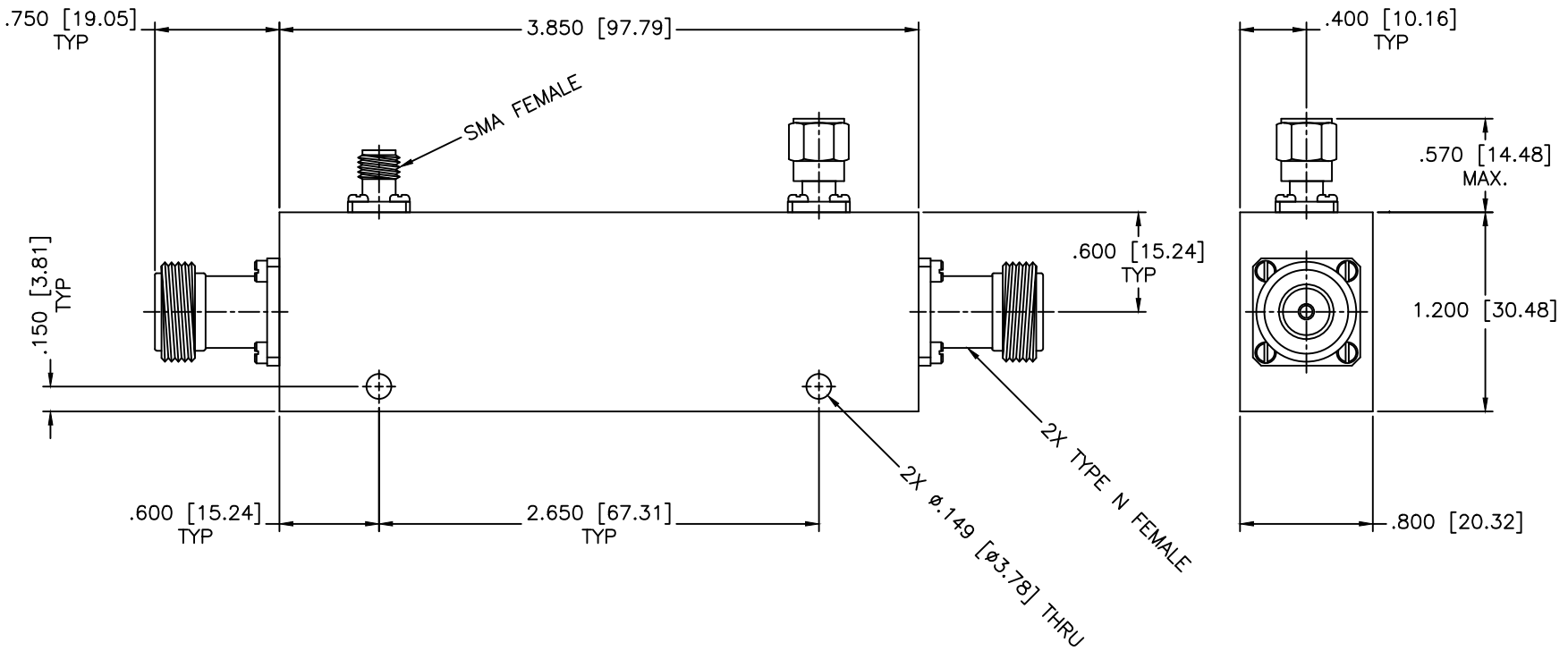


REVISIONS				
ZONE	REV	DESCRIPTION	DATE	APPROVED



SPECIFICATIONS

Frequency Range: 1–8 GHz
 Coupling: X±1.50dB
 Insertion Loss: 0.50dB Max.
 Frequency Sensitivity: ±1.50dB
 VSWR: 1.40:1 Max.
 Directivity: 14dB Min.
 Power Handling: 500 Watts CW

MATERIAL:			MICROWAVE COMMUNICATIONS LABORATORIES INC. 7255 30TH AVE. N. SAINT PETERSBURG, FL 33710 TEL: (727) 344-6254 FAX: (727) 381-6116 http://WWW.MCLI.COM		SCALE:	N/A
UNLESS OTHERWISE SPECIFIED: TOLERANCES IN (INCHES) OR [mm] (MILLIMETERS) FRACTIONS: ± 1/64 DECIMALS: ±.01 ±.005 ANGLE: ±1/2°			DRAWING TITLE:		SHEET:	N/A
DRAWN:		PART NO.		HIGH POWER DIRECTIONAL COUPLER		
DATE:		CAGE CODE:		HC-18-X		
APPROVED:		SIZE:		DO NOT SCALE THE DRAWING		
DATE:		REV:		82085		
THIRD ANGLE PROJECTION		DWG NO.				

